

SN-D1308EE-AZ3

8MP Hybrid Analogue Dome Camera



- 1/2" Progressive Scan CMOS
- 3.3~12mm Motorized Lens
- Max 15fps@8MP
- Video Transmission 300m
- IR Range up to 40m
- 3D DNR, WDR, ICR, BLC, GLOBE, ATW
- Support AHD/TVI/CVI/CVBS Output
- IP66,IK10

System Overview

Eco series products support simplicity of using existing cabling infrastructure with HDVI. It features a compact design and high quality image. It's suitable for the scenes requires high definition image display such as finance, government, schools, shops, airports, factories and hotels and so on.

Functions

4 Signals over 1 Coaxial Cable

HDVI technology supports 4 signals to be transmitted over 1 coaxial cable simultaneously video data. Dual-way data transmission allows the HDVI camera to interact with the DVR, such as sending control signal or triggering alarm.

Long Distance Transmission

HDVI technology guarantees long-distance and real-time transmission without any loss. It supports up to 300m for 1080P Full HD video via coaxial cable.

Simplicity

HDVI technology inherits the born feature of simplicity from traditional analog surveillance system, making itself a best choice for investment protection. HDVI system can seamlessly upgrade the traditional analog system without replacing existing coaxial cabling. The plug and play approach enables full HD video surveillance without the hassle of configuring a network.

Environmental

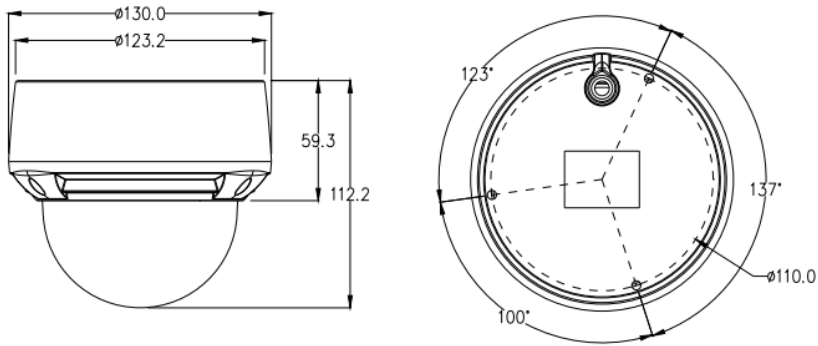
With a temperature range of -10 °C to +55 °C (14 °F to +131 °F). Subjected and certified to rigorous dust and water immersion tests, the IP66 rating makes it suitable for demanding outdoor applications.

Technical Specification

Camera	
Image Sensor	1/2" Progressive Scan CMOS
Effective Pixels	3840(H) x 2160(V)
Scanning System	Progressive
Min. illumination	Color:0.01Lux@(F1.2,AGC ON) ; B/W:0Lux@(IR LED ON)
S/N Ratio	More than 50dB (AGC Closed)
IR Range	up to 30m
IR On/Off Control	Auto/Manual
IR LEDs	15pcs
OSD Joystick	Yes
Up the Coax	Yes
Pan/Tilt/Rotation Range	Pan:0°~355°, Tilt:0°~80°, Rotation:0°~355°
Lens	
Lens Type	Motorized
Iris	Fixed Iris
Focal Length	3.3~12mm
F Number	F1.5
Angle of View	94°~43°
Focus Control	Motorized
Close Focus Distance	0.2m
Video	
Resolution	8MP (3840x2160)
Frame Rate	15fps
Video Output	AHD/TVI/CVI/CVBS
Day/Night	Auto / Color / MONO / Ext

OSD Menu	Support
Wide Dynamic Range	WDR
Gain Control	Auto
Noise Reduction	3D DNR, AUTO/MANUAL(1-10)
White Balance	Auto
BLC	Support
Mirror	N/A
Motion Detection	N/A
Privacy Masking	N/A
General	
Power Supply	DC12V±10%
Power Consumption	Max. 4.5W (12V DC, IR ON)
Operating Temperature	-10 °C ~ 55 °C (14°F ~ 131 °F)
Operating Humidity	Less than 85% RH
Ingress Protection	IP66, IK10
Certifications	CE/FCC
Casing	Metal
Dimensions	Φ130×112mm
Net Weight	667g

Dimensions(mm)



Accessories

Optional:



SN-CBK648
Junction Box



SN-BK344
Wall Mount