

SN-TPC4201AT/F(III)

Temperature Alarm Network Camera



- On-Board Temp-Detection Algorithm
- Effective Pixels 400 × 300
- Sensitivity 40mK
- 8/15/25/35/50mm Fixed Lens Optional
- 20 Spots / 2 Lines / 16 Areas Temperature Detection
- 17 Color Control
- DVE Image Enhance
- Standalone Operating

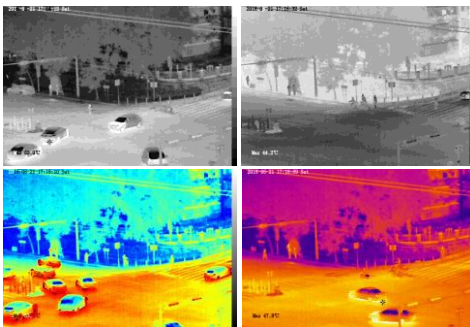
System Overview

Featuring a fixed lens box camera, this series provides an all-in-one solution that is especially beneficial for long distance video surveillance in outdoor applications. Together with Thermal technology, the camera's long range capabilities are able to be utilized even at night.

Functions

Image Color Modes

White hot/black hot/iron bow/rainbow up to 17 modes



Temperature Detection

20 spots / 2 lines / 16 areas
Temp-Detection Range: -40°C~150°C (-40°F~302°F)



Compatibility

ONVIF Compatible, also provide CGI and SDK for integration



IVS Security

Video Analytics with Perimeter, Single Virtual Fences, Double Virtual Fences, Object Left, Object Removed



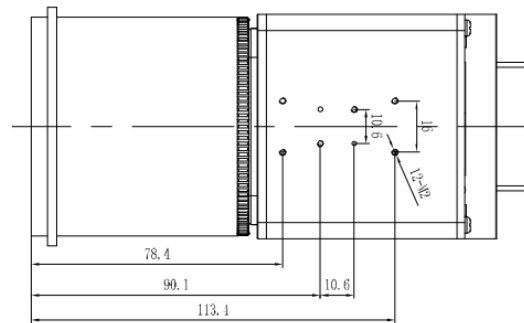
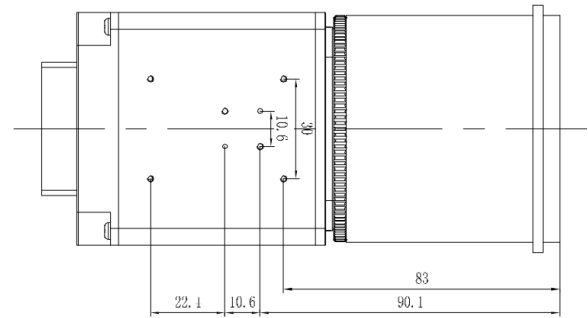
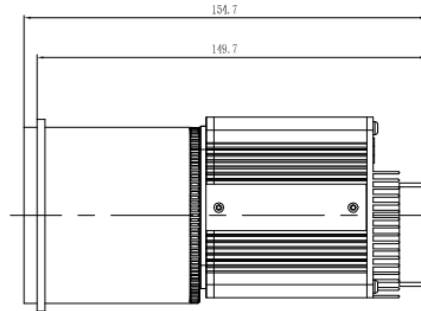
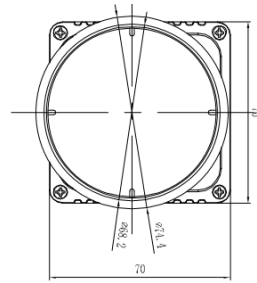
Technical Specification

Thermal Camera					
Detector Type	Uncooled IRFPA Microbolometer				
Effective Pixels	400(H) × 300(V)				
Pixel Size	17um				
Thermal Sensitivity (NETD)	40mK @F1.0, 300K				
Spectral Range	8~14um				
Image Setting	Polarity LUT/ DVE/ Mirror/ FCC/ /3D DNR Brightness/Contrast/ ROI				
Color Palettes	Black-Heat /White-Heat/Rainbow/Iron-Red up to 17 modes				
Thermal Lens					
Lens Type	Fixed				
Focus Control	Manual Focus				
Focal Length	8mm	15mm	25mm	35mm	50mm
F No.	F1.0	F1.0	F1.0	F1.0	F1.0
Angle of View	H: 46° V:35.3°	H:25.5° V:19.2°	H:15.4° V:11.6°	H: 11° V:9°	H: 7.7° V:5.8°
Detection Distance Fire(1m*1m)	235m	441m	735m	1029m	1471m
Detection Distance Man(1.8m*0.5m)	235m	441m	735m	1029m	1471m
Detection Distance Vehicle(4m*1.5m)	722m	1353m	2255m	3137m	4510m
Recognition Distance Fire(1m*1m)	78m	147m	245m	343m	490m
Recognition Distance Man(1.8m*0.5m)	59m	110m	184m	257m	368m
Recognition Distance Vehicle(4m*1.5m)	180m	338m	564m	789m	1127m
Video and Audio					
Compression	H.265, H.264, MJPEG				
Frame Rate	Main Stream: D1 @25/30fps Sub Stream: CIF @25/30fps				
Bit Rate Control	CBR/VBR				
Bit Rate	100Kbps~6Mbps				
Region of Interest	Off / On (8 Zone, Rectangle)				
Electronic Image Stabilization(EIS)	N/A				
Digital Zoom	16x				
Mirror	Support				
Defog	Support				
Motion Detection	Support				
Privacy Masking	Off / On (4 Area, Rectangle)				
DVE Image Enhance	Support				
Audio Compression	G.711, AMR, RAW_PCM (Optional)				
Intelligence					
Intelligent Functions	Motion detection, Disk alarm, I/O alarm, Temperature alarm				
IVS	Perimeter, Single Virtual Fences, Double Virtual Fences, Object Left, Object Removed				

Temperature Detection	
Detection Mode	Spot, Line, Area
Detection Preset	Support 3 temperature measurement rule types, 20 rules (20 points / 2 lines / 16 regions)
Temperature Alarm	Over temperature alarm, Temperature difference alarm
Accuracy	±2℃ / ±2%
Response Time	≤30ms
Effective temperature working environment	-40℃~60℃(-40°F~140°F)
Theory of temperature measurement range	-40℃~150℃(-40°F~302°F)
Temperature display mode	Temperature target > 5℃, Display absolute temperature value, Temperature target ≤5℃, Display relative temperature value (temperature difference DEV = highest value - average)
Network	
Ethernet	RJ-45 (10/100Base-T)
Protocols:	IPv4/IPv6 ,HTTP,RTSP/RTP/RTCP, TCP/UDP, DHCP, DNS, PPPOE, SMTP, SIP ,802.1x
Interoperability	ONVIF, CGI
Streaming Method	Unicast
Max. User Access	10 Users
Edge Storage	NAS Local PC for instant recording Micro SD card 128GB
Web Viewer	<IE 11, Chrome, Firefox
Web Language	English, Chinese, Polish, Italian, Portuguese, Spanish. Russian, French, Czech, Hungarian
Interface	
Ethernet	1 Ethernet (10/100 Base-T) RJ-45 Connector
Audio Interface	1ch Audio In,1ch Audio Out
Alarm	2ch Alarm In,2ch Alarm Out
RS485	Support
BNC Output	Support
Reset Button	Support
General	
Power Supply	DC12V ±10%
Power Consumption	Max 5W
Operating Temperature	-40℃~60℃(-40°F~140°F)
Storage Conditions	0~ 90% RH
Certifications	CE /FCC
Ingress Protection	N/A
Casing	Metal
Dimensions	70×70×154.7mm
Net Weight	700g (Contains 50 mm lens)

Ordering Information		
Type Part	Number	Description
SN-TPC4201AT/F(III)	SN-TPC4201AT/F8(III)	Thermal: 400×300 8mm Fixed lens
	SN-TPC4201AT/F15(III)	Thermal: 400×300 15mm Fixed lens
	SN-TPC4201AT/F25(III)	Thermal: 400×300 25mm Fixed lens
	SN-TPC4201AT/F35(III)	Thermal: 400×300 35mm Fixed lens
	SN-TPC4201AT/F50(III)	Thermal: 400×300 50mm Fixed lens

Dimensions(mm: 50mm lens)



Accessories

Optional: N/A