

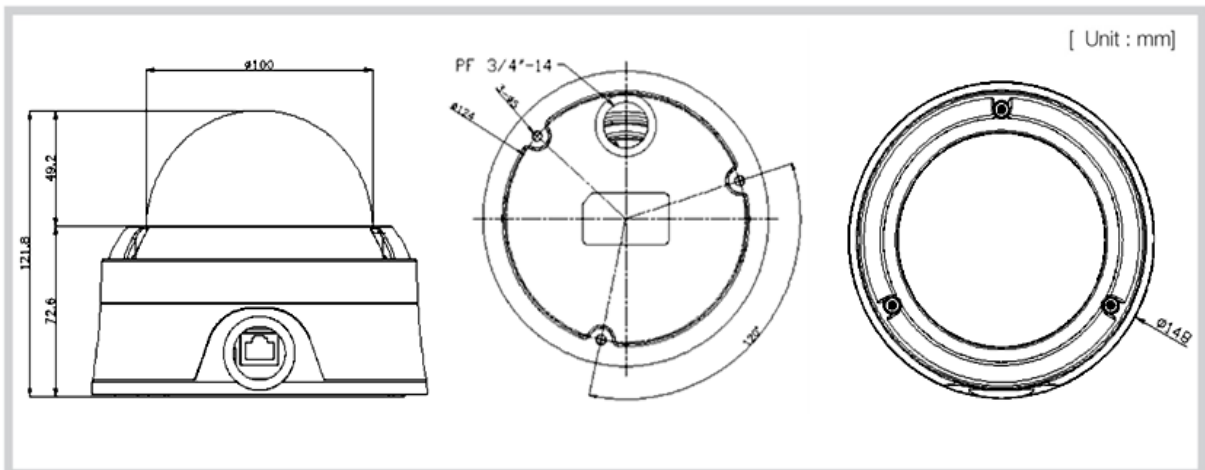
TCAM-351IR

D1 IP IR Dome Camera



- 1/3" Super Had CCD
- Max. 30fps @ Full D1 Resolution
- Auto Iris varifocal lens (f=2.8~10mm)
- Min. 0.3lux (color), 0.1lux(B/W) with 40IRE, F1.2
- Mechanical IR cut filter for True day & night (ICR)
- BLC, HLC
- Privacy masking
- Dual Streaming (H.264/H.264, H.264/MJPEG)
- PoE(Power over Ethernet) : 802.3af
- Composite video output
- 3-Axis internal camera bracket
- Compliant with ONVIF, PSIA

Dimension



Specification and design are subject to change without prior notice

Specification

Section	TCAM-351IR	
Camera	Image sensor	1/3" Super Had CCD
	Synchronization	Internal
	Minimum illumination availability	0.3Lux (color), 0Lux(B/W) with 40IRE
	S/N ratio	52 dB more (AGC Off, Weight On)
	Electronic shutter speed	1/60 ~ 1/100,000 sec
	Sense-up/DSS (Digital slow Shutter)	OFF/2X ~ 32X
Image enhancement	Automatic gain control	Off/Low/Middle/High
	AE control	Auto/Manual
	White balance mode	ATW, AWC, Manual
	True day & night (TDN)	Auto, Color, B/W
	Backlight compensation	BLC, HLC
	WDR	Digital WDR
	Digital noise reduction (filter)	Off/On
	On screen display	English, 中文
	Motion detection	Supports
	Privacy masking	Supports
	Image adjustment	Brightness/Contrast/Sharpness
Lens	Flip mode	Vertical
	Lens type	Auto DC, FLK
	Digital zoom	Supports
	Focal length	f=2.8~10mm, Auto iris varifocal
	Maximum aperture ratio	F1.2
	Angle of view	Horizontal : 102(wide) ~ 28(tele), vertical : 73(wide) ~ 21(tele)
Video	IR LED	850nm, 24Pcs
	Video compression	H.264 HP level4
	Frame rate	30fps
	Bitrate	Pri : 32Kbps ~ 10Mbps, Sec : 32Kbps ~ 1Mbps
	Resolutions (Max)	NTSC : 720 x 480 PAL : 720 x 576
	Video streaming	Primary : H.264, Secondary : H.264, MJPEG
	Color control	Brightness, Contrast, Hue, Saturation
	Video output	Composite
Audio	Backup	UAB, FTP
	Audio compression	G.711 , AAC
	Audio sampling rate	G.711 : 8KHz, AAC : 32KHz
Network	Audio input/output	1 x line-in(stereo), 1 x line-out(stereo)
	Network interface	Ethernet 10/100base-T (RJ-45)
Integration interface	Network protocol	TCP/IP, UDP, Multicast, DHCP, SMTP, HTTP, HTTPS, SNMP, RTP, RTSP, UPnP, WS-Discovery, Zero Configuration, DDNS
	API	TSDK, PSIA, OnVIF
	Serial connectors	1 x RS-485
	Sensor input	1 x NO contact
General	Alarm output	1 x NO contact
	Ingress protection rating	IP66
	Power supply	DC 12V/0.5A , PoE(Power over Ethernet) : 802.3af
	Power consumption	Maximum 9W
	Operating temperature	-10°C ~ 50°C (14°F ~ 122°F)
	Dimension	70.30(W) X 132.50(L) X 70.60(H)mm
Weight	1,012g	

Specification and design are subject to change without prior notice