

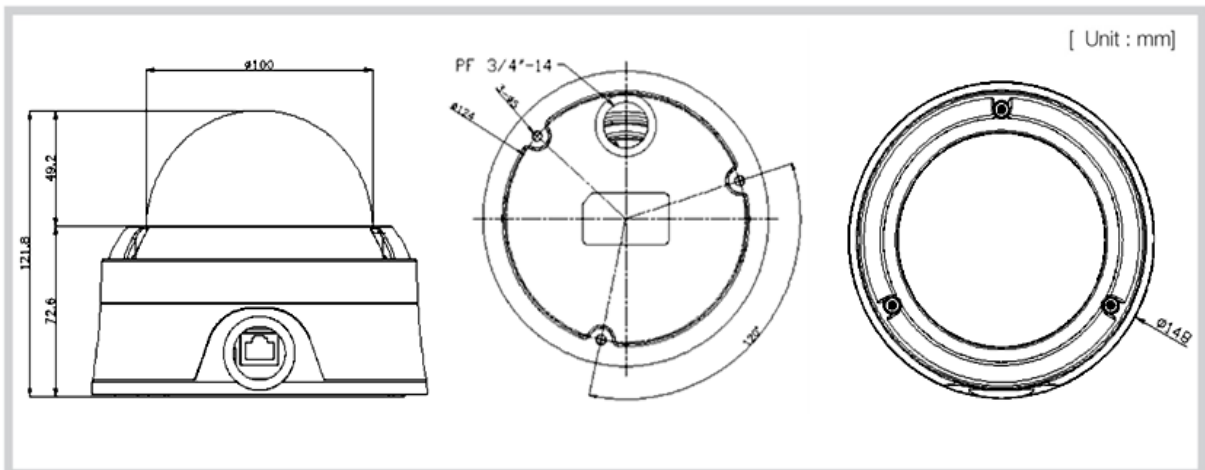
TCAM-351SW

D1 Pixim IP Doom Camera



- 1/3" Pixim High Sensitivity Sensor
- 30fps @ 720 x 480
- True day & night (ICR)
- Adjustable video bitrate : 32kbps ~ 10mbps
- Supports USB, FTP recording
- Two way audio communication (G.711/AAC)
- PoE(Power over Ethernet) : 802.3af
- WDR (Wide Dynamic Range)
- 3 Axis internal camera bracket
- Vandal-proof, IP67 and IK10-rated protection
- Dual streaming (H.264/H.264, H.264/MJPEG)
- Motion detection
- RS-485 communication, Pelco D or Pelco P protocol
- ONVIF, PSIA compliant

Dimension



Specification and design are subject to change without prior notice

Specification

Section		TCAM-351SW
Camera	Image sensor	1/3" CMOS Image Sensor
	Synchronization	Internal/Linelock
	Minimum illumination	0.1Lux (color), 0.02Lux (B/W) with 50IRE, F1.2
	Electronic shutter speed (Shutter Type)	Up to 30,720
Image enhancement	Automatic gain control	Middle/High/Low/Off
	AE control	Auto, 60i / 30P
	White balance mode	ATW, AWB, Outdoor, Indoor, Manual
	True day & night (TDN)	Auto, Color, B/W
	Backlight compensation	On/Off
	WDR	Low/Middle/High/User
	Digital noise reduction (filter)	3D Motion adaptive
	On screen display	English
	Motion detection	Available
	Image adjustment	Sharpness, Color gain, Gamma
Lens	Flip mode	Horizontal, Vertical
	Lens type	Auto DC
	Digital zoom	Available
	Focal length	f=2.8~11mm auto iris varifocal
	Maximum aperture ratio	F1.2
Video	Angle of view	Horizontal : 102(wide) ~ 28(tele), vertical : 73(wide) ~ 21(tele)
	Video compression	H.264 HP level 3
	Frame rate	30fps
	Bitrate	Pri : 32Kbps ~ 10Mbps, Sec : 32Kbps ~ 1Mbps
	Resolutions (Max)	720 x 480
	Video streaming	Primary : H.264, Secondary : H.264, MJPEG
	Video output	Composite
Audio	Backup	SD card, FTP
	Audio compression	G.711 , AAC
	Audio sampling rate	G.711 : 8KHz, AAC : 32KHz
Network	Audio input/output	1 x line-out (mini-stereo, single mono)
	Network interface	Ethernet 10/100base-T (RJ-45)
Integration interface	Network protocol	TCP/IP, UDP, Multicast, DHCP, SMTP, HTTP, HTTPS, SNMP, RTP, RTSP, UPnP, WS-Discovery, Zero Configuration, DDNS
	API	TSDK, PSIA, OnVIF
	Serial connectors	1 x RS-485
	Sensor input	1 x NO contact
General	Alarm output	1 x NO contact
	Ingress protection rating	IP66
	Certifications	CE, FCC, ROHS
	Power supply	DC 12V/0.5A, PoE(Power over Ethernet): 802.3af
	Power consumption	Maximum 6W
	Operating temperature	-10°C ~ 50°C (14°F ~ 122°F)
	Dimension	100Ø for vandal dome, 148Ø for bottom
Weight	1,012g	

Specification and design are subject to change without prior notice