

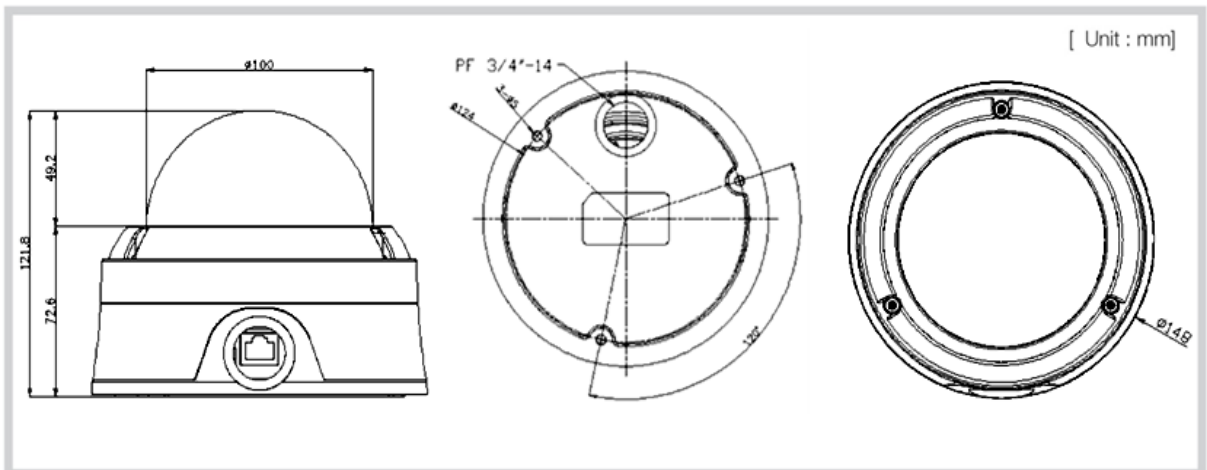
TCAM-351

D1 IP Dome Camera



- 1/3" Super Had CCD
- Max. 30fps @ Full D1 Resolution
- TCAM-351 : Auto Iris varifocal lens (f=2.8~11mm)
- TCAM-351IR : Auto Iris varifocal lens (f=2.8~10mm)
- Min. 0.3lux (color), 0.1lux(B/W) with 40IRE, F1.2
- Mechanical IR cut filter for True day & night (ICR)
- BLC, HLC
- Privacy masking
- Dual Streaming (H.264/H.264, H.264/MJPEG)
- PoE(Power over Ethernet) : 802.3af
- Composite video output
- 3-Axis internal camera bracket
- Compliant with ONVIF, PSIA

Dimension



Specification and design are subject to change without prior notice

Specification

Section		TCAM-351	
Camera	Image sensor	1/3" Super Had CCD	
	Synchronization	Internal	
	Minimum illumination	0.3Lux (color), 0.1Lux(B/W) with 40IRE	
	S/N ratio	52 dB more (AGC Off, Weight On)	
	Electronic shutter speed	1/60 ~ 1/100,000 sec	
Image enhancement	Automatic gain control	Off/Low/Middle/High	
	AE control	Auto/Manual	
	White balance mode	ATW, AWC, Manual	
	True day & night (TDN)	Auto, Color, B/W	
	Backlight compensation	BLC, HLC	
	WDR (Wide Dynamic Range)	Digital WDR	
	Digital noise reduction (filter)	Off/On	
	On screen display	English, 中文	
	Motion detection	Supports	
	Privacy masking	Supports	
	Image adjustment	Brightness/Contrast/Sharpness	
	Flip mode	Vertical	
	Lens	Lens type	Auto DC, FLK
		Digital zoom	Supports
Focal length		f=2.8~11mm, Auto iris varifocal	
Maximum aperture ratio		F1.2	
Angle of view		Horizontal : 102(wide) ~ 28(tele), vertical : 73(wide) ~ 21(tele)	
IR LED		Not Available	
Video	Video compression	H.264 HP level 3	
	Frame rate	30fps	
	Bitrate	Pri : 32Kbps ~ 10Mbps, Sec : 32Kbps ~ 1Mbps	
	Resolutions (Max)	NTSC : 720 x 480 PAL : 720 x 576	
	Video streaming	Primary : H.264, Secondary : H.264, MJPEG	
	Color control	Brightness Contrast Hue Saturation	
	Video output	Composite	
	Backup	UAB, FTP	
Audio	Audio compression	G.711, AAC	
	Audio sampling rate	G.711 : 8KHz, AAC : 32KHz	
	Audio input/output	1 x line-in(stereo), 1 x line-out(stereo)	
Network	Network interface	Ethernet 10/100base-T (RJ-45)	
	Network protocol	TCP/IP, UDP, Multicast, DHCP, SMTP, HTTP, HTTPS, SNMP, RTP, RTSP, UPnP, WS-Discovery, Zero Configuration, DDNS	
Integration interface	API	TSDK, PSIA, OnVIF	
	Serial connectors	1 x RS-485	
	Sensor input	1 x NO contact	
	Alarm output	1 x NO contact	
General	Power supply	DC 12V/0.5A, PoE(Power over Ethernet) : 802.3af	
	Power consumption	Maximum 6W	
	Operating temperature	-10°C ~ 50°C (14°F ~ 122°F)	
	Dimension	70.30(W) X 132.50(L) X 70.60(H)mm	
	Weight	1,012g	

Specification and design are subject to change without prior notice