

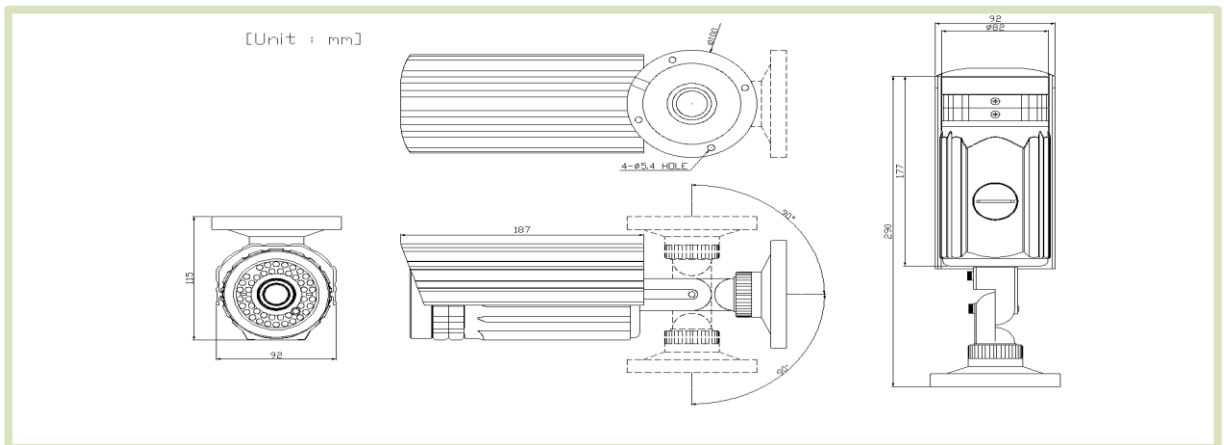
TCAM-5321BIR/5311BIR

2.0/1.3MP IP Bullet Camera



- 1/3" Progressive Scan Panasonic CMOS
- TCAM-5321BIR : Max. 30fps @ 1920 x 1080
- TCAM-5311BIR : Max. 30fps @ 1280 x 1024
- Auto Iris varifocal lens (f=3 ~ 9mm, F1.4) built in
- Min. 0.03Lux(color), 0.00Lux
- Mechanical IR cut filter for True day & night (ICR)
- HSBLC
- Superior Low Light Performance
- Powerful Demist (anti-foggy)
- 3D Noise reduction
- Privacy masking
- Dual Streaming (H.264/H.264, H.264/MJPEG)
- 44pcs IR LED
- PoE(Power over Ethernet) : 802.3af
- Composite video output
- IP66 rated protection
- SD/SDHC slot for local storage
- Compliant with ONVIF, PSIA

Dimension



Specification and design are subject to change without prior notice

Specification

Section		TCAM-5321BIR	TCAM-5311BIR
Camera	Image sensor	1/3" Progressive Scan Panasonic CMOS	
	Synchronization	Internal	
	Minimum illumination	0.03Lux(color), 0.00Lux(night, IR On) with 50IRE	
	Electronic shutter speed	1/30 ~ 1/67500 sec	
Image enhancement	Automatic gain control	Off, Low, Middle, High	
	AE control	Auto, manual	
	White balance mode	ATW, AWC, Manual, Outdoor, Indoor	
	True day & night (TDN)	Auto, Day, Night, Threshold	
	Backlight compensation	BLC, HSBLC	
	WDR (Wide Dynamic Range)	Digital WDR	
	Digital noise reduction (filter)	2DNR, 3DNR, SMART	
	De-Mist	Supports	
	On screen display	English	
	Motion detection	Supports	
	Privacy masking	Supports	
	Image adjustment	Brightness, Sharpness	
	Flip mode	Horizontal, Vertical, Rotate	
	Lens	Lens type	Auto DC, Manual
Digital zoom		x10 Digital Zoom	
Focal length		f=3 ~ 9mm, Auto Iris varifocal lens, IR cut filter	
Maximum aperture ratio		F1.4	
Angle of view		Horizontal : 92.9(wide) ~ 31.7(tele), Vertical : 67.9(wide) ~ 23.7(tele)	
IR LED		850nm, 44Pcs	
Video	Video compression	H.264 HP Level4	
	Frame rate	30fps	
	Bitrate	Pri : 32Kbps ~ 10Mbps Sec : 32Kbps ~ 1Mbps	
	Resolutions (Max)	1920 x 1080	1280 x 1024
	Video streaming	Primary : H.264, Secondary : H.264, MJPEG	
	Color control	Brightness	
	Video output	Composite	
	Backup	SD Card, FTP	
Audio	Audio compression	G.711 , AAC	
	Audio sampling rate	G.711 : 8KHz, AAC : 32KHz	
	Audio input/output	1 x RCA female cable (single mono)	
Network	Network interface	Ethernet 10/100Base-T (RJ-45)	
	Network protocol	TCP/IP, UDP, Multicast, DHCP, SMTP, HTTP, HTTPS, SNMP, RTP, RTSP, UPnP, WS-Discovery, Zero Configuration, DDNS	
Integration interface	API	TSDK, PSIA, OnVIF	
	Serial connectors	1 x RS-485	
	Sensor input	1 x NO Contact	
	Alarm output	1 x NO Contact	
General	Ingress protection rating	IP66	
	Power supply	DC 12V/0.85A , PoE(Power over Ethernet) : 802.3af	
	Power consumption	Maximum 10.2W	
	Operating temperature	-10°C ~ 50°C (14°F ~ 122°F)	
	Dimension	Ø82 x 290(L) [mm]	
	Weight	1,300g	

Specification and design are subject to change without prior notice