

# TCAM-5511/5511IR

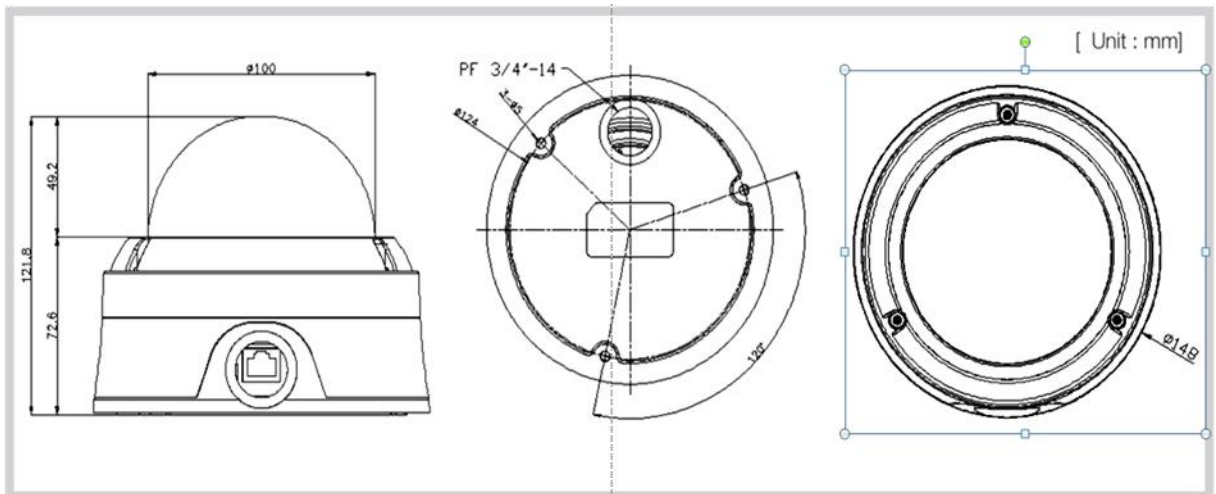
## 1.3 MP IP Dome/IR Camera

### Features

- 1/3" Progressive Scan Panasonic CMOS
- Max. 30fps @ 1280 x 1024
- Auto Iris varifocal lens (f=3 ~ 9mm, F1.4) built in
- Min. 0.03Lux(color), 0.02Lux(B/W)
- Mechanical IR cut filter for True day & night (ICR)
- HSBLC
- Superior Low Light Performance
- Powerful Demist (anti-foggy)
- 3D Noise reduction
- Privacy masking
- Dual Streaming (H.264/H.264, H.264/MJPEG)
- PoE(Power over Ethernet) : 802.3af
- Composite video output
- 3-Axis internal camera bracket
- SD/SDHC slot for local storage
- Compliant with ONVIF, PSIA



### Dimension



Specification and design are subject to change without prior notice

## Specification

Section		TCAM-5511	TCAM-5511IR
Camera	Image sensor	1/3" CMOS Progressive Scan Image Sensor	
	Synchronization	Internal	
	Minimum illumination	0.03Lux(color), 0.02Lux(B/W) with 50IRE	
	Electronic shutter speed	1/30 ~ 1/67,500 sec	
Image enhancement	Automatic gain control	Auto, manual	
	White balance mode	ATW, AWC, Manual, Outdoor, Indoor	
	True day & night (TDN)	Auto, Day, Night, Threshold	
	Backlight compensation	BLC, HSBLC	
	Demist	Supports	
	Digital noise reduction (filter)	2DNR, 3DNR, SMART	
	On screen display	English	
	Motion detection	Supports	
	Privacy masking	Supports	
	Flip mode	Horizontal, Vertical, Rotate	
Lens	Lens type	Auto DC	
	Digital zoom	x10 Digital Zoom	
	Focal length	f=3 ~ 9mm, Auto Iris varifocal lens, IR Cut filter	
	Maximum aperture ratio	F1.4	
	Angle of view	Horizontal : 92.9(wide) ~ 31.7(tele), vertical : 67.9(wide) ~ 23.7(tele)	
	IR LED	Not available	850nm, 24Pcs
Video	Video compression	H.264 HP Level4	
	Frame rate	30fps	
	Bitrate	Pri : 32Kbps ~ 10Mbps Sec : 32Kbps ~ 1Mbps	
	Resolutions (Max.)	1280 x 1024	
	Video streaming	Primary : H.264, Secondary : H.264, MJPEG	
	Color control	Brightness, Contrast	
	Video output	Composite	
	Backup	SD Card, FTP	
Audio	Audio compression	G.711, AAC	
	Audio sampling rate	G.711 : 8KHz, AAC : 32KHz	
	Audio input/output	1 x line-in(stereo) 1 x line-out(stereo)	
Network	Network interface	Ethernet 10/100Base-T (RJ-45)	
	Network protocol	TCP/IP, UDP, Multicast, DHCP, SMTP, HTTP, HTTPS, SNMP, RTP, RTSP, UPnP, WS-Discovery, Zero Configuration, DDNS	
Integration interface	API	TSDK, PSIA, OnVIF	
	Serial connectors	1 x RS-485	
	Sensor input	1 x NO Contact	
	Alarm output	1 x NO Contact	
General	Ingress protection rating	IP66	
	Certifications	CE, FCC	
	Power supply	DC 12V/0.8A, PoE(Power over Ethernet) : 802.3af	
	Power consumption	Maximum 8/9.6W	
	Operating temperature	-10°C ~ 50°C ( 14°F ~ 122°F )	
	Dimension	100Ø for Vandal Dome, 148Ø for Bottom	
	Weight	1012g	

Specification and design are subject to change without prior notice