

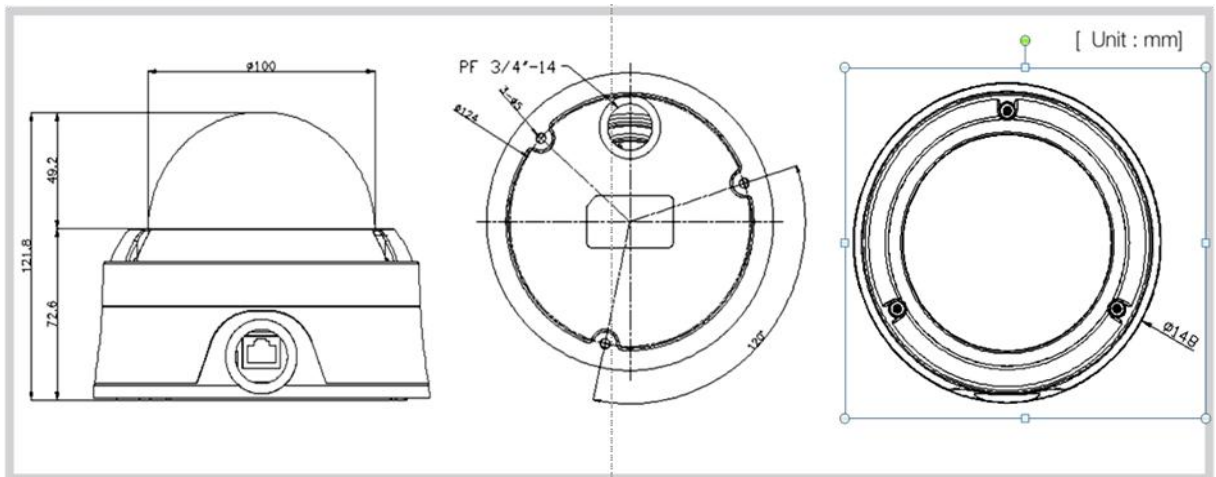
TCAM-5520IR

2.0M IP Doom IR Camera

- 1/2.5" CMOS Progressive Scan Image Sensor
- Max. 30fps @ 1920 x1080
- True day & night (ICR)
- Adjustable video bitrate : 32kbps ~ 10mbps
- supports SD card, FTP recording
- Two way audio communication (G.711/AAC)
- PoE(Power over Ethernet) : 802.3af
- 24pcs IR LED
- f=3 ~ 9mm, auto iris varifocal lens, IR cut filter
- Vandal-proof, IP66 rated protection
- Dual streaming (H.264/H.264, H.264/MJPEG)
- Motion detection
- RS-485 communication, Pelco D or Pelco P protocol
- ONVIF, PSIA compliant



Dimension



Specification and design are subject to change without prior notice

Specification

Section		TCAM-5520IR
Camera	Image sensor	1/2.5" CMOS Progressive Scan Image Sensor
	Synchronization	Internal
	Minimum illumination	0.3 Lux(color), 0.2 Lux(B/W) with 30IRE
	S/N ratio	38dB
	Electronic shutter speed	1/30 ~ 1sec
Image enhancement	Automatic gain control	Auto
	AE control	Auto, Manual
	White balance mode	AWB
	True day & night (TDN)	Auto, Day, Night, Threshold(Night to Day)
	Digital noise reduction	On/Off, interworking TDN
	Flickerless	50Hz, 60Hz
	On screen display	English
	Motion detection	Available
	Image adjustment	Brightness, contrast
	Flip mode	Horizontal, Vertical
Lens	Lens type	Auto DC
	Digital zoom	Available
	Focal length	f=3 ~ 9mm, auto iris varifocal lens, IR cut filter
	Maximum aperture ratio	F1.4
	Angle of view	Horizontal : 92.9(wide) ~ 31.7(tele), vertical : 67.9(wide) ~ 23.7(tele)
Video	Video compression	H.264 HP level4
	Frame rate	30fps
	Resolutions (Max)	1920 x 1080
	Bitrate	Pri : 32Kbps ~ 10Mbps Sec : 32Kbps ~ 1Mbps
	Video streaming	Primary : H.264, Secondary : H.264, MJPEG
	Video output	Composite
	Backup	SD card, FTP
Audio	Audio compression	G.711, AAC
	Audio sampling rate	G.711 : 8KHz, AAC : 32KHz
	Audio input/output	1 x line-in(stereo), 1 x line-out(stereo)
Network	Network interface	Ethernet 10/100base-T (RJ-45)
	Network protocol	TCP/IP, UDP, Multicast, DHCP, SMTP, HTTP, HTTPS, SNMP, RTP, RTSP, UPnP, WS-Discovery, Zero Configuration, DDNS
Integration interface	API	TSDK, PSIA, OnVIF
	Serial connectors	1 x RS-485
	Sensor input	1 x NO contact
	Alarm output	1 x NO contact
General	Ingress protection rating	IP66
	Certifications	CE, FCC, ROHS
	Power supply	DC 12V/0.5A, PoE(Power over Ethernet): 802.3af
	Power consumption	Maximum 6W
	Operating temperature	-10°C ~ 50°C (14°F ~ 122°F)
	Dimension	100Ø for vandal dome, 148Ø for bottom
	Weight	1012g

Specification and design are subject to change without prior notice