

TCAM-6502/6502IR

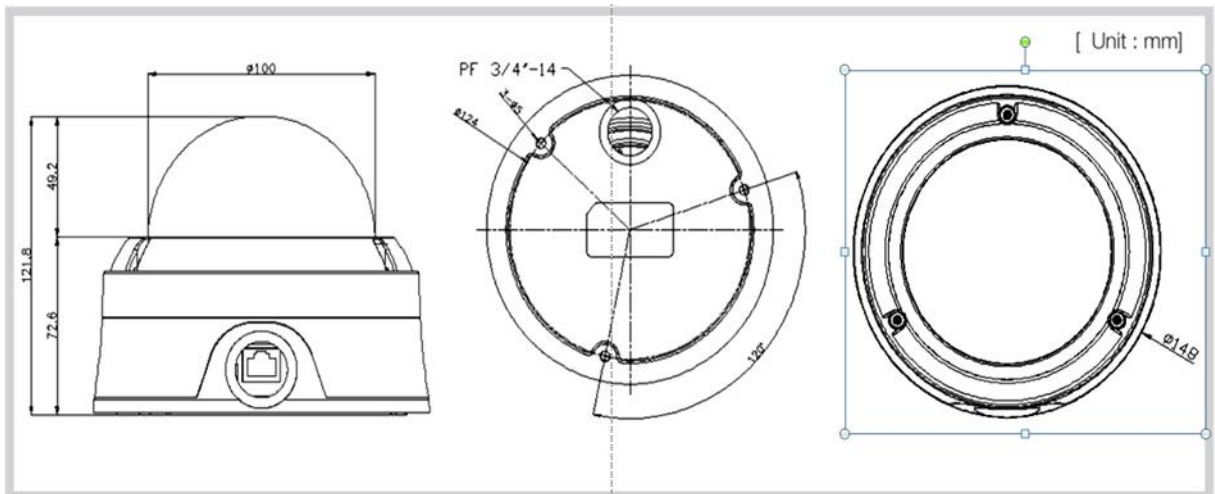
3.0MP IP Dome/IR Camera

Features

- 1/2.8"Sony CMOS Progressive Scan
- Max. 15fps @ 2048 x 1536, 30fps @ 1920 x 1080
- Mechanical IR cut filter for True day & night (ICR)
- WDR
- Superior Low Light Performance
- Dual Streaming (H.264/H.264, H.264/MJPEG)
- PoE(Power over Ethernet) : 802.3af
- Composite video output
- 3-Axis internal camera bracket
- SD/SDHC slot for local storage
- Compliant with ONVIF, PSIA



Dimension



Specification and design are subject to change without prior notice

Specification

Section		TCAM-6502	TCAM-6502IR
Camera	Image sensor	1/2.8"Sony CMOS Progressive Scan	
	Synchronization	Internal	
	Electronic shutter speed	1/30 ~ 1 sec (B/W) 1/30 ~ 1/10,000 sec (color)	
Image enhancement	Automatic gain control	Auto	
	AE control	Auto, Manual	
	White balance mode	AWB	
	True day & night (TDN)	Auto, Day, Night, Threshold(Night to Day)	
	WDR (Wide Dynamic Range)	Supports	
	Digital noise reduction (filter)	On/Off	
	Flickerless (Frequency mode)	50Hz, 60Hz	
	On screen display	English	
	Motion detection	Supports	
	Image adjustment	Brightness	
	Flip mode	Horizontal, Vertical	
	Lens	Lens type	Auto DC
Digital zoom		Supports	
Focal length		f=3 ~ 9mm, auto iris varifocal lens, IR cut filter	
Maximum aperture ratio		F1.4	
Angle of view		Horizontal : 92.9(wide) ~ 31.7(tele), vertical : 67.9(wide) ~ 23.7(tele)	
IR LED		Not Available	470nm, 24Pcs
Video	Video compression	H.264 HP level4	
	Frame rate	15fps(2048x1536) 30fps(1920x1080)	
	Bitrate	Pri : 32Kbps ~ 10Mbps, Sec : 32Kbps ~ 2Mbps	
	Resolutions (Max)	2048 x 1536	
	Video streaming	Primary : H.264, Secondary : H.264, MJPEG	
	Video output	Composite	
	Backup	SD card, FTP	
Audio	Audio compression	G.711 , AAC	
	Audio sampling rate	G.711 : 8KHz, AAC : 32KHz	
	Audio input/output	1 x line-in(stereo), 1 x line-out(stereo)	
Network	Network interface	Ethernet 10/100base-T (RJ-45)	
	Network protocol	TCP/IP, UDP, Multicast, DHCP, SMTP, HTTP, HTTPS, SNMP, RTP, RTSP, UPnP, WS-Discovery, Zero Configuration, DDNS	
Integration interface	API	TSDK, PSIA, OnVIF	
	Serial connectors	1 x RS-485	
	Sensor input	1 x NO contact	
	Alarm output	1 x NO contact	
General	Power supply	DC 12V/0.5A, PoE(Power over Ethernet): 802.3af	
	Power consumption	Maximum 6W	
	Operating temperature	-10°C ~ 50°C (14°F ~ 122°F)	
	Dimension	100Ø for vandal dome, 148Ø for bottom	
	Weight	1,012g	

Specification and design are subject to change without prior notice