

TN-B20

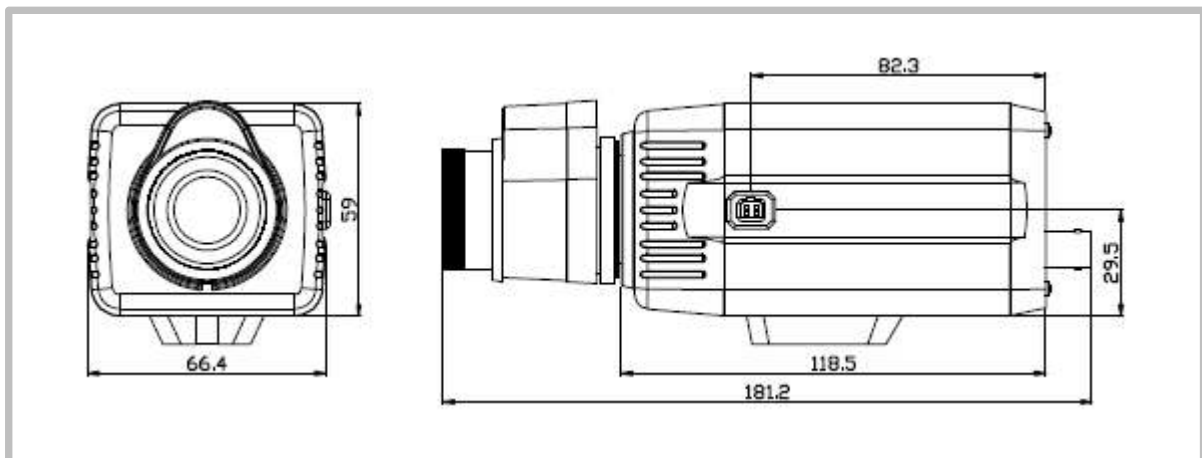
1080p60 Full HD IP Box Camera



- Max 60fps @ 1920 x 1080
- 0.3lux(day), 0.2lux(night) with 50IRE
- Dual Streaming (H.264/H.264, H.264/MJPEG)
- True Day & Night(ICR)
- RS-485 Communication, Various Type of Protocol supported
- Motion Detection for Instant Alarm & Recording
- Two Way Audio Communication (G.711/AAC)
- ONVIF, PSIA Compliant
- SD Card, FTP Recording
- PoE(Power over Ethernet) : 802.3af
- Composite Video Output for Lens Adjustment
- BLC (Back Light Compensation)



Dimension



Specification and design are subject to change without prior notice

Specification

Section		TN-BT20
Camera	Image sensor	1/3" CMOS Progressive Scan Image Sensor
	Synchronization	Internal
	Minimum illumination	0.3Lux(color), 0.0Lux(night, IR On) with 50IRE
	Electronic shutter speed	1/30 ~ 1/67,500 sec
Image enhancement	Automatic gain control	Auto
	AE control	Auto, Manual
	White balance mode	ATW, AWC, Manual, Outdoor, Indoor
	True day & night (TDN)	Available
	Backlight compensation	ACCE(Adaptive Contrast and Color enhancement), BLC, HLC
	Digital noise reduction (filter)	2DNR, 3DNR, SMART
	De-Mist	unavailable
	Flickerless (Frequency mode)	50Hz, 60Hz
	On screen display	English
	Motion detection	Available
	Privacy masking	Available
	Image adjustment	Bright, Sharpness
	Flip mode	Horizontal, Vertical, Rotate
	Lens	Lens type
Digital zoom		x10 Digital Zoom
Focal length		f=3 ~ 9mm, Auto Iris varifocal lens, IR cut filter
Maximum aperture ratio		F1.4
Angle of view		Horizontal : 92.9(wide) ~ 31.7(tele), Vertical : 67.9(wide) ~ 23.7(tele)
IR LED		850nm, 44Pcs
Video	Video compression	H.264 HP Level5
	Frame rate	Max. 60fps
	Bitrate	Pri : 32Kbps ~ 16Mbps Sec : 32Kbps ~ 1Mbps
	Resolutions (Max)	1920 x 1080
	Video streaming	Primary : H.264, Secondary : H.264, MJPEG
	Color control	Brightness
	Video output	Composite, HD-SDI, HDMI
	Backup	SD Card, FTP
Audio	Audio compression	G.711 , AAC
	Audio sampling rate	G.711 : 8KHz, AAC : 32KHz
	Audio input/output	1 x RCA female cable (single mono)
Network	Network interface	Ethernet 10/100Base-T (RJ-45)
	Network protocol	TCP/IP, UDP, Multicast, DHCP, SMTP, HTTP, HTTPS, SNMP, RTP, RTSP, UPnP, WS-Discovery, Zero Configuration, DDNS
Integration interface	API	TSDK, PSIA, OnVIF
	Sensor input	1 x NO Contact
	Alarm output	1 x NO Contact
General	Ingress protection rating	IP66
	Power supply	DC 12V/0.85A , PoE(Power over Ethernet) : 802.3af
	Power consumption	Maximum 10.2W
	Operating temperature	-10°C ~ 50°C (14°F ~ 122°F)
	Dimension	Ø80 x 290(L) [mm]
	Weight	1,300g