

TN-BT20

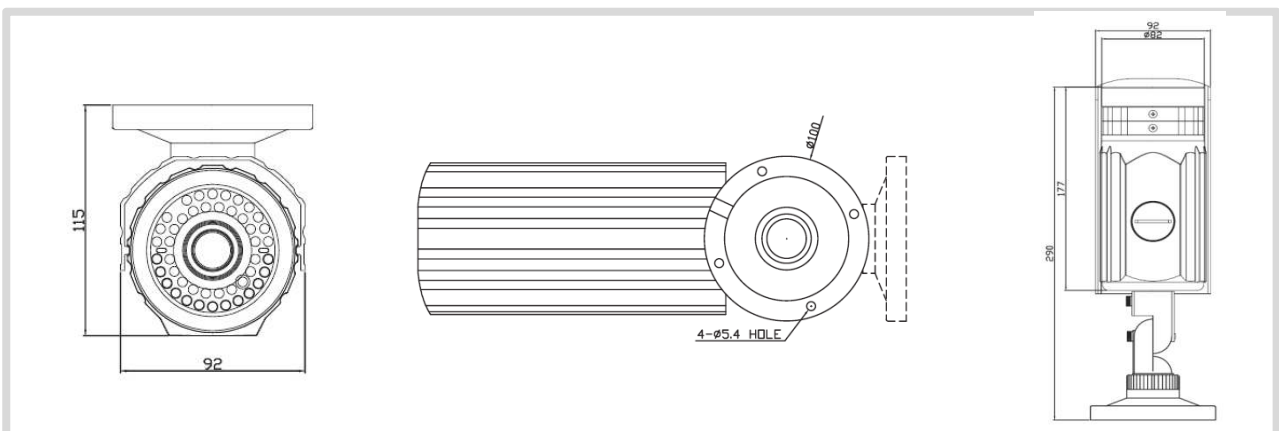
“1080p60 Full HD IP Bullet Camera”



- 1/3" CMOS Progressive Scan Image Sensor
- **Max 60fps @ 1920 x 1080 with H.264 compression algorithm**
- f=3~9mm Auto iris with IR cut Filter
- Min. 0.3lux (Color), 0Lux (IR LED ON)
- Dual Streaming (H.264/H.264, H.264/MJPEG)
- True Day & Night(ICR)
- IP 66 Rated Protection
- SD/SDHC Slot for Local Storage
- Two Way Audio Communication (G.711/AAC)
- ONVIF, PSIA Compliant
- FTP Recording
- PoE(Power over Ethernet) : 802.3af
- Adjustable Video Bitrate : 32Kbps ~ 10Mbps for Primary Video, 32Kbps ~ 1Mbps for Secondary Video
- Composite Video, HD-SDI, HDMI Output for Lens Adjustment
- Various Type of Event ; Sensor, Video Loss, Motion Detection



Dimension



Specification and design are subject to change without prior notice

Specification

Section	TN-BT20	
Camera	Image sensor	1/3" CMOS Progressive Scan Image Sensor
	Synchronization	Internal
	Minimum illumination	0.3Lux(color), 0.0Lux(night, IR On) with 50IRE
	Electronic shutter speed	1/30 ~ 1/67,500 sec
Image enhancement	Automatic gain control	Auto
	AE control	Auto, Manual
	White balance mode	ATW, AWC, Manual, Outdoor, Indoor
	True day & night (TDN)	Available
	Backlight compensation	ACCE(Adaptive Contrast and Color enhancement), BLC, HLC
	Digital noise reduction (filter)	2DNR, 3DNR, SMART
	De-Mist	unavailable
	Flickerless (Frequency mode)	50Hz, 60Hz
	On screen display	English
	Motion detection	Available
	Privacy masking	Available
	Image adjustment	Bright, Sharpness
Lens	Flip mode	Horizontal, Vertical, Rotate
	Lens type	Auto DC, Manual
	Digital zoom	x10 Digital Zoom
	Focal length	f=3 ~ 9mm, Auto Iris varifocal lens, IR cut filter
	Maximum aperture ratio	F1.4
	Angle of view	Horizontal : 92.9(wide) ~ 31.7(tele), Vertical : 67.9(wide) ~ 23.7(tele)
Video	IR LED	850nm, 44Pcs
	Video compression	H.264 HP Level5
	Frame rate	Max. 60fps
	Bitrate	Pri : 32Kbps ~ 16Mbps Sec : 32Kbps ~ 1Mbps
	Resolutions (Max)	1920 x 1080
	Video streaming	Primary : H.264, Secondary : H.264, MJPEG
	Color control	Brightness
	Video output	Composite, HD-SDI, HDMI
Audio	Backup	SD Card, FTP
	Audio compression	G.711, AAC
	Audio sampling rate	G.711 : 8KHz, AAC : 32KHz
Network	Audio input/output	1 x RCA female cable (single mono)
	Network interface	Ethernet 10/100Base-T (RJ-45)
Integration interface	Network protocol	TCP/IP, UDP, Multicast, DHCP, SMTP, HTTP, HTTPS, SNMP, RTP, RTSP, UPnP, WS-Discovery, Zero Configuration, DDNS
	API	TSDK, PSIA, OnVIF
	Sensor input	1 x NO Contact
General	Alarm output	1 x NO Contact
	Ingress protection rating	IP66
	Power supply	DC 12V/0.85A , PoE(Power over Ethernet) : 802.3af
	Power consumption	Maximum 10.2W
	Operating temperature	-10°C ~ 50°C (14°F ~ 122°F)
	Dimension	Ø80 x 290(L) [mm]
Weight	1,300g	