

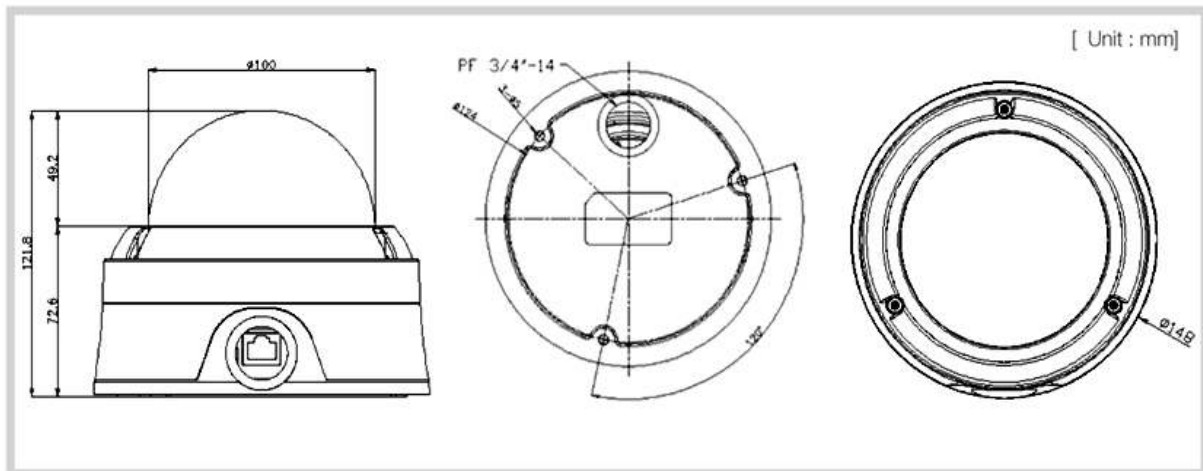
# TN-D20 / D20IR

## “1080p60 Full HD IP Vandal Dome Camera”

- 1/3" Panasonic Progressive Scan CMOS
- Max 60fps @ 1920 x 1080
- f=3 ~ 9mm, Auto Iris varifocal lens, IR Cut filter
- 0.3lux(day), 0.2lux(night) with 50IRE
- Dual Streaming (H.264/H.264, H.264/MJPEG)
- True Day & Night(ICR)
- RS-485 Communication, Various Type of Protocol supported
- Motion Detection
- Two Way Audio Communication (G.711/AAC)
- ONVIF, PSIA Compliant
- Vandal-Proof & IP66
- PoE(Power over Ethernet) : 802.3af
- Adjustable Video Bitrate : 32Kbps ~ 10Mbps for Primary Video, 32Kbps ~ 1Mbps for Secondary Video
- Composite Video Output for Lens Adjustment
- SD Slot for Instant Recording
- IR Version : TCAM-5521IR



### Dimension



Specification and design are subject to change without prior notice

**Specification**

Section		TN-D20	TN-D20IR
Camera	Image sensor	1/3" CMOS Progressive Scan Image Sensor	
	Synchronization	Internal	
	Minimum illumination	0.3Lux(color), 0.2Lux(B/W) with 50IRE	0.3Lux(color), 0Lux(night,IR On) with 50IRE
	Electronic shutter speed	1/60 ~ 1/67,500 sec	
Image enhancement	Automatic gain control	Auto, Manual	
	AE control	Auto, Manual	
	White balance mode	ATW, AWC, Manual, Outdoor, Indoor	
	True day & night (TDN)	Auto, Day, Night, Threshold	
	Backlight compensation	ACC(Adaptive Contrast and Color enhancement), BLC	
	Digital noise reduction (filter)	Off/Low/Middle/High	
	De-Mist	Available	
	Flickerless (Frequency mode)	50Hz, 60Hz	
	On screen display	English	
	Motion detection	Available	
	Privacy masking	Available	
	Image adjustment	Brightness, Sharpness	
	Flip mode	Horizontal, Vertical, Rotate	
	Lens	Lens type	Auto DC
Digital zoom		x10 Digital Zoom	
Focal length		f=3 ~ 9mm, Auto Iris varifocal lens, IR Cut filter	
Maximum aperture ratio		F1.4	
Angle of view		Horizontal : 92.9(wide) ~ 31.7(tele), vertical : 67.9(wide) ~ 23.7(tele)	
IR LED		Not Available	470nm, 24Pcs
Video	Video compression	H.264 HP Level5	
	Frame rate	Max. 60fps	
	Bitrate	Pri : 32Kbps ~ 16Mbps Sec : 32Kbps ~ 1Mbps	
	Resolutions (Max)	1920 x 1080	
	Video streaming	Primary : H.264, Secondary : H.264, MJPEG	
	Video output	Composite, HD-SDI, HDMI	
	Backup	SD Card, FTP	
Audio	Audio compression	G.711 , AAC	
	Audio sampling rate	G.711 : 8KHz, AAC : 32KHz	
	Audio input/output	1 x line-in(stereo), 1 x line-out(stereo)	
Network	Network interface	Ethernet 10/100Base-T (RJ-45)	
	Network protocol	TCP/IP, UDP, Multicast, DHCP, SMTP, HTTP, SNMP, RTP, RTSP,	
Integration interface	API	TSDK, PSIA, OnVIF	
	Serial connectors	1 x RS-485	
	Sensor input	1 x NO Contact	
	Alarm output	1 x NO Contact	
General	Ingress protection rating	IP66 and IK10	
	Power supply	DC 12V/0.8A, PoE(Power over Ethernet): 802.3af	
	Power consumption	Maximum 8/9.6W	
	Operating temperature	-10°C ~ 50°C ( 14°F ~ 122°F )	
	Dimension	100Ø for Vandal Dome, 148Ø for Bottom	
	Weight	1,012g	

Specification and design are subject to change without prior notice