



- Compact unit comprehensive of Day/Night camera, P&T head and telemetry receiver
- Variable speed: 0.1°-200°/s Pan and 0.1°-200°/s Tilt
- Pan rotation: continuous; Tilt rotation -90°/+90°
- 36x, 18x or 10x optical (1/3" CCD) zoom capability
- Dynamic video masking of different areas
- Day/night (Auto ICR: automatic removal of IR filter)
- RS485/ RS422 serial interface for control from PC
- Remote firmware upgrade

ULISSE COMPACT includes integrated high-performance pan-and-tilt telemetry receiver and a Day/Night camera.

With a compact and "aggressive" shape, ULISSE COMPACT offers continuous, high-speed rotation, positioning precision and superior image quality, utmost sturdiness and simplified system configuration. Speed and precision are the predominant pan-and-tilt characteristics, reaching 200°/s in continuous horizontal rotation, with vertical range between -90° to +90°.

ULISSE COMPACT manages the preset, auto-pan and patrol functions with an accuracy 0.1°.

The unit performs a continuous control of its position to verify the correct positioning of the camera at any time; this is a very useful function in case of severe environmental conditions, such as strong wind, heavy vibrations, etc.

The integrated SONY cameras offer a selection from different zoom lenses, 36x, 18x or 10x, which allow the recording with exceptional precision of both close-by and far away objects, as well dynamic privacy zone masking. Furthermore, the Super HAD, 1/3" CCD (version with 10x optical zoom) guarantees an excellent sensitivity in poorly lit environments.

Besides the OSD (On Screen Display) configuration, the system is equipped with an RS485/RS422 interface for complete system control and for the updating in remote mode of the latest firmware version.

The simplified set-up software interface offers typical preset configurations or the possibility to customize the complete system.

ULISSE COMPACT is the ideal solution for demanding safety and monitoring applications such as: traffic and highways monitoring, coastal and harbour checks, borders, stadiums and industries surveillance, as well as surveillance of prisons, military installation and perimeter watching.



ULISSE COMPACT

COMPACT POSITIONING UNIT WITH CAMERA



TECHNICAL DATA

ULISSE COMPACT

Model	SONY 10X PAL	SONY 18X PAL	SONY 36X PAL	SONY 10X NTSC	SONY 18X NTSC	SONY 36X NTSC	Power supply 230Vac	Power supply 24Vac	Power supply 120Vac
UC1BSSA000A	•						•		
UC2BSSA000A	•							•	
UC3BSSA000A	•								•
UC1ASSA000A		•					•		
UC2ASSA000A		•						•	
UC3ASSA000A		•							•
UC1PSSA000A			•				•		
UC2PSSA000A			•					•	
UC3PSSA000A			•						•
UC1KSSA000A				•			•		
UC2KSSA000A				•				•	
UC3KSSA000A				•					•
UC1JSSA000A					•		•		
UC2JSSA000A					•			•	
UC3JSSA000A					•				•
UC1NSSA000A						•	•		
UC2NSSA000A						•		•	
UC3NSSA000A						•			•

GENERAL

Constructed from aluminium and ABS
 Epoxy polyester powder painting, RAL9002 colour
 Easy installation thanks to the self-centring connector
 Zero backlash
 Quick configuration and setup
 Closed-loop positioning control system

MECHANICAL

2 cable glands M16 and 2 cable glands M12
 Horizontal continuous rotation
 Vertical rotation -90° to +90°
 Variable pan speed: from 0.1° up to 200°/s
 Variable tilt speed: from 0.1° up to 200°/s

ELECTRICAL/VIDEO

Input voltage:
 - 230Vac, 50/60Hz,
 - 120Vac, 50/60Hz
 - 24Vac, 50/60Hz

Current consumption:
 - 24Vac, 4A
 - 120Vac, 0.8A
 - 230Vac, 0.4A

Power consumption:
 - 40W with pan-and-tilt stopped and heating switched off
 - 60W in motion, with heating switched off
 - 125W peak, with heating switched on

Other data:
 - Input cables size: AWG 16-19
 - Signal cables size: AWG 30-16
 - Video line: coaxial cable (1Vpp, 750hm)
 - Functions: Autopan, Preset, Patrol
 - Maximum number of presets: 250 (VIDEOTECH-Macro Protocol)
 - 16-character string for zone and preset titling
 - Accuracy in the positions recalling preset: 0.1°

COMMUNICATIONS

Configuration through OSD
 Half-duplex serial RS485 interface, full-duplex RS422 and daisy-chain architecture
 Firmware updating from console in remote mode
 Up to 1024 units, addressable by means of dip-switches

PROTOCOLS

MACRO
 PELCO D
 AMERICAN DYNAMICS
PELCO and AMERICAN DYNAMICS are registered trademarks.
ULISSE COMPACT may be interfaced with equipment not manufactured by VIDEOTECH. It is possible that the interface protocols have changed or are in a different configuration from earlier tested units. VIDEOTECH recommends a bench test prior to installation. VIDEOTECH will not be liable for any installation costs or lost revenues in the event a compatibility problem will occur.

DAY/NIGHT CAMERA 36X

36x optical zoom
 Wide Dynamic Range
 High horizontal resolution up to 530 TV Lines
 Day-Night (Auto ICR)
 Image Sensor: 1/4" EXview HAD CCD
 Number of effective Pixels: approx. 380.000 pixel (NTSC), approx. 440.000 pixels
 Min. night Illumination (ICR ON): 0,01 Lux / 1/4sec. (NTSC), 1/3sec. (PAL) typical
 Min. day Illumination (ICR OFF): 0,1 Lux / 1/4sec. (NTSC), 1/3sec. (PAL) typical
 "Shutter Time" automatic increase to improve the night surveillance

ULISSE COMPACT

COMPACT POSITIONING UNIT WITH CAMERA



S/N Ratio: more than 50dB

AE Control: Auto, Manual, Priority mode, Bright, EV compensation, Backlight compensation

Back Light Compensation: On/Off

Spherical masking (3D) of Privacy zones with automatic upgrade

Privacy Zone Masking: On/Off (24 positions)

Maximum number of masking blocks to be displayed: 8

Resolution of masking blocks: 160x120 HxV

Up to 15 different masking types: 14 colour types or mosaic

Focusing System: Auto (Sensitivity: Normal, Low), Trigger PTZ, Manual "Smart" Lens Control (SONY Modular Automatic Lens Reset Technology)

High Zoom and Wide Horizontal Field of View Capability

Lens: 36x Optical Zoom, f=3.4 (wide) to 122.4mm (tele), F1.6 to F4.5

Digital Zoom: 12x (432x with optical zoom)

Angle of View (A): 57.8 degrees (wide) to 1.7 degrees (tele)

Min. Object Distance: 320mm (wide) to 1500mm (tele)

Electronic Shutter Speed: from 1/3 up to 1/100.000sec for PAL version, from 1/4 up to 1/100.000sec for NTSC version

SONY is a registered trademark of SONY Corporation, Japan. EXview HAD is a registered trademark of SONY Corporation

DAY/NIGHT CAMERA 18X

18x optical zoom

Day-Night (Auto ICR)

Image Sensor: 1/4" EXview HAD CCD

Number of effective Pixels: approx. 380.000 pixel (NTSC), approx. 440.000 pixels

Min. night Illumination (ICR ON): 0,01 Lux / 1/4sec. (NTSC), 1/3sec. (PAL) typical

Min. day Illumination (ICR OFF): 0,1 Lux / 1/4sec. (NTSC), 1/3sec. (PAL) typical

"Shutter Time" automatic increase to improve the night surveillance

S/N Ratio: more than 50dB

AE Control: Auto, Shutter priority, Diaphragm priority, Brightness priority and Manual

Back Light Compensation: On/Off

Spherical masking (3D) of Privacy zones with automatic upgrade

Privacy Zone Masking: On/Off (24 positions)

Maximum number of masking blocks to be displayed: 8

Resolution of masking blocks: 160x120 HxV

Up to 14 different masking types

Focusing System: Auto (Sensitivity: Normal, Low), Trigger PTZ, Manual "Smart" Lens Control (SONY Modular Automatic Lens Reset Technology)

High Zoom and Wide Horizontal Field of View Capability

Lens: 18x Optical Zoom, f=4.1 (wide) a 73.8mm (tele), F1.4 to F3.0

Digital Zoom: 12x (216x with optical zoom)

Angle of View (A): 48 degrees (wide) to 2.8 degrees (tele)

Min. Object Distance: 290mm (grandangolo) a 800mm (tele)

Electronic Shutter Speed: from 1/1 up to 1/100.000sec for PAL version, from 1/1 up to 1/100.000sec for NTSC version

SONY is a registered trademark of SONY Corporation, Japan. EXview HAD is a registered trademark of SONY Corporation

HIGH SENSITIVITY DAY/NIGHT CAMERA 10X

10x optical zoom

High sensitivity thanks to the Image Sensor 1/3" Super HAD CCD II

High horizontal resolution up to 530 TV Lines

Day-Night (Auto ICR)

Number of effective Pixels: approx.380.000 pixel (NTSC), approx 440.000 pixel (PAL)

Min. night Illumination (ICR ON): 0,0004 Lux / 1/4sec. (NTSC), 1/3sec. (PAL) typical

Min. day Illumination (ICR OFF): 0,015 Lux / 1/4sec. (NTSC), 1/3sec. (PAL) typical

Shutter Time" automatic increase to improve the night surveillance

S/N Ratio: more than 50dB

AE Control: Auto, Shutter priority, Diaphragm priority, Brightness priority and Manual

Back Light Compensation: On/Off

Spherical masking (3D) of Privacy zones with automatic upgrade

Privacy Zone Masking: On/Off (24 positions)

Maximum number of masking blocks to be displayed: 8

Resolution of masking blocks: 160x120 HxV

Up to 15 different masking types:14 colour types or mosaic

Focusing System: Auto (Sensitivity: Normal, Low), Trigger PTZ, Manual "Smart" Lens Control (SONY Modular Automatic Lens Reset Technology)

Lens: 10x Optical Zoom, f=5.1mm (wide) to 51.0mm (tele), F1.8 to F2.1

Digital Zoom: 12x (120x with optical zoom)

Angle of View (A): 52 degrees (wide) to 5.4 degrees (tele)

Min. Object Distance: 15mm (wide) to 800mm (tele)

Electronic Shutter Speed: from 1/1 up to 1/100.000sec for PAL version, from 1/1 up to 1/100.000sec for NTSC version

SONY is a registered trademark of SONY Corporation, Japan. EXview HAD is a registered trademark of SONY Corporation

ACCESSORIES

UPTWBA Wall bracket with internal cable channel

UPTWBTA Parapet bracket with internal cable channel

RELATED PRODUCTS

PTCC1 Pole mount adapter for UPTWBA

WCWGC Corner adapter for UPTWBA

ALBERT Video Agent for intelligent digital video content analysis

DCJ Keyboard to control matrix, multiplexers and telemetry equipped with three axis joystick

DCT Touch screen keyboard to control matrix, multiplexers, DVRs and telemetry equipped with three axis joystick

10
INTEGRATED POSITIONING UNITS

ULISSE COMPACT

COMPACT POSITIONING UNIT WITH CAMERA



ENVIRONMENT

Indoor / Outdoor

Operating temperature with heater: -40°C / +60°C (-40°F / +140°F)

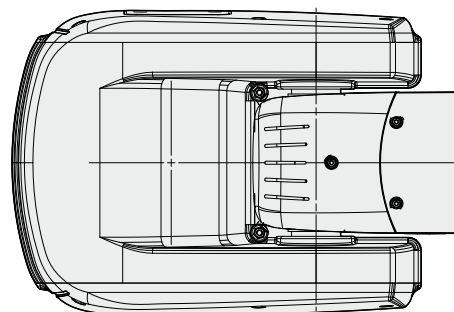
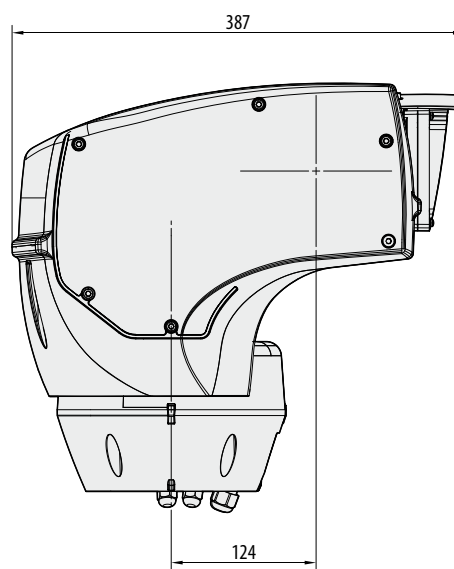
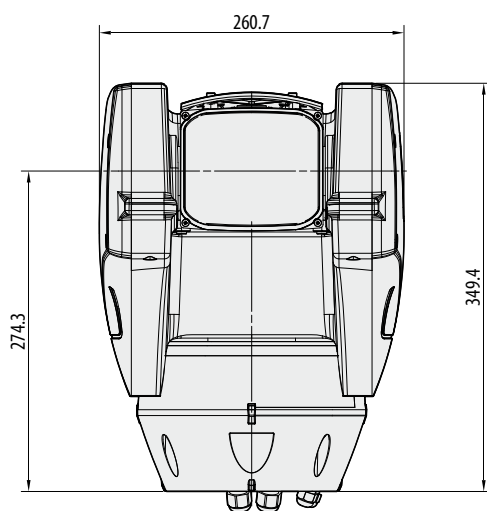
Improved surge immunity: up to 2KV line to line, up to 4KV line to earth (Class 4), to achieve a better protection to lightening transients

COMPLIANCE TO

CE according to EN60950, EN61000-3-2 and EN50130-4

FCC part 15

IP66 according to EN60529



The values are in millimeters.

10

INTEGRATED POSITIONING UNITS



Unit Weight:
UC1PSSA000A 16.3kg / 36lb

Package Weight:
UC1PSSA000A 19.5kg / 43lb

Package Dimension (WxHxL):
UC1PSSA000A 66x33x57cm / 26x13x22.5in

Master Carton:
UC1PSSA000A -