

ULISSE COMPACT

COMPACT POSITIONING UNIT WITH BUILT-IN CAMERA

REVISION 0940



MAIN FEATURES

Compact unit with integrated Day/Night camera,
P&T head and telemetry receiver

Variable speed: 0.1°-200°/s Pan and 0.1°-200°/s Tilt

Pan rotation: continuous; Tilt rotation -90°/+90°

36x, 18x or 10x optical zoom capability

Dynamic video masking of different areas

Day/night (Auto ICR: automatic removal of IR filter)

RS485/ RS422 serial interface for control from PC

Remote firmware upgrade

Versions with built-in wiper

Versions with built-in infrared LED illuminator

DESCRIPTION

ULISSE COMPACT integrates a high-performance Pan-and-Tilt telemetry receiver and a Day/Night camera. With a compact and "aggressive" shape, ULISSE COMPACT offers continuous, high-speed rotation, positioning precision and superior image quality, utmost sturdiness and simplified system configuration.

Speed and precision are the predominant pan-and-tilt characteristics, reaching 200°/s in continuous horizontal rotation, with vertical range between -90° to +90°. ULISSE COMPACT manages the preset, auto-pan and patrol functions with an accuracy 0.1°. Furthermore the unit performs a continuous control of its position to verify the correct positioning of the camera at any time; this is a very useful function in case of difficult environmental conditions.

The integrated SONY cameras offer a selection from different zoom lenses, 36x, 18x or 10x, which allow recording with exceptional precision of both close-by and far away objects, as well as dynamic privacy zone masking. Furthermore, the Super HAD, 1/3" CCD (version with 10x optical zoom) guarantees an excellent sensitivity in poorly lit environments.

For a wide range of applications, ULISSE COMPACT is also offered with the integrated IR LED lamp option or with a built-in wiper which does not interfere with the viewing range of the camera. Available in 24, 230 or 120Vac, and in PAL or NTSC mode.*

Besides the OSD (On Screen Display) configuration, the system is equipped with an RS485/RS422 interface for complete system control and for the updating in remote mode of the latest firmware version. The simplified set-up software interface offers typical preset configurations or the possibility to customize the complete system.

ULISSE COMPACT is the ideal solution for demanding safety and monitoring applications such as: traffic and highways monitoring, coastal and harbour checks, borders, stadiums and industries surveillance, as well as surveillance of prisons, military installation and perimeter watching.

*An easy Part Number Configurator is available online at Videotec web site at the ULISSE COMPACT page.



ULISSE COMPACT



ULISSE COMPACT + IR LED

ULISSE COMPACT

TECHNICAL DATA

GENERAL

Constructed from aluminium and ASA
 Epoxy polyester powder painting, RAL9002 colour
 Easy installation thanks to the self-centring connector
 Zero backlash
 Quick configuration and setup
 Closed-loop positioning control system

MECHANICAL

2 cable glands M16 and 2 cable glands M12
 Horizontal continuous rotation
 Vertical rotation -90° to +90°
 Variable pan speed: from 0.1° up to 200°/s
 Variable tilt speed: from 0.1° up to 200°/s
 Accuracy in the positions recalling preset: 0.1°

ELECTRICAL/VIDEO

Input voltage:

- 230Vac, 50/60Hz,
- 120Vac, 50/60Hz
- 24Vac, 50/60Hz

Current consumption:

- 24Vac, 4A
- 120Vac, 0.8A
- 230Vac, 0.4A

Power consumption:

- 40W with pan-and-tilt stopped and heating switched off
- 60W in motion, with heating switched off
- 125W peak, with heating switched on

Other data:

- Input cables size: AWG 16-19
- Signal cables size: AWG 30-16
- Video line: coaxial cable (1Vpp, 750hm)
- Functions: Autopan, Preset, Patrol, Tour (max 3)
- Maximum number of presets:
- VIDEOTECH-Macro Protocol: 250
- PELCO D Protocol: 99
- SENSORMATIC Protocol: 95
- 16-character string for zone and preset titling

I/O alarm card (option):

- 6 alarm inputs
- 2 relays outputs
- 2A 30Vac/60Vdc max

Built-in IR LED illuminator (option):

- Achievable distances (using slow shutter):
- with 36x module: 60mt (horizontal angle 10°)
- with 18x module: 80mt (horizontal angle 30°)
- with 10x module: 80mt (horizontal angle 30°)

- Nr of LEDs: 9
- Wavelength: 850nm
- Lighting through external night switch or control keyboard
- Power consumption: 15W

COMMUNICATIONS

Configuration through OSD
 Half-duplex serial RS485 interface, full-duplex RS422 and daisy-chain architecture
 Firmware updating from console in remote mode (only MACRO and PELCO D protocols)
 Up to 1023 units, addressable by means of dip-switches

PROTOCOLS

MACRO
 PELCO D
 SENSORMATIC

PELCO and SENSORMATIC are registered trademarks. ULISSE COMPACT may be interfaced with equipment not manufactured by VIDEOTECH. It is possible that the interface protocols have changed or are in a different configuration from earlier tested units. VIDEOTECH recommends a bench test prior to installation. VIDEOTECH will not be liable for any installation costs or lost revenues in the event a compatibility problem will occur.

ACCESSORIES

KITUCALARM I/O alarm card
 UPTWBA Wall bracket with internal cable channel
 UPTWBTA Parapet bracket with internal cable channel

RELATED PRODUCTS

PTCC1 Pole mount adapter for UPTWBA
 WCWGC Corner adapter for UPTWBA
 ALBERT Unit for the intelligent digital video content analysis
 DCJ Keyboard to control matrix, multiplexers and telemetry equipped with three axis joystick
 DCT Touch screen keyboard to control matrix, multiplexers, DVRs and telemetry equipped with three axis joystick
 UPTWAS01C Tank 23l (6gal), 230Vac washer pump, delivery up to 5m (16,4ft)
 UPTWAS02C Tank 23l (6gal), 24Vac washer pump, delivery up to 5m (16,4ft)
 UPTWAS01C Tank 23l (6gal), 230Vac washer pump, delivery up to 30m (98,4ft)

ENVIRONMENT

Indoor / Outdoor
 Operating temperature: -40°C / +60°C (-40°F / +140°F)
 Improved surge immunity: up to 2KV line to line, up to 4KV line to earth (Class 4), to achieve a better protection from lightning

COMPLIANCE TO

CE according to EN60950-1, EN61000-6-3 and EN50130-4
 FCC part 15
 IP66 according to EN60529

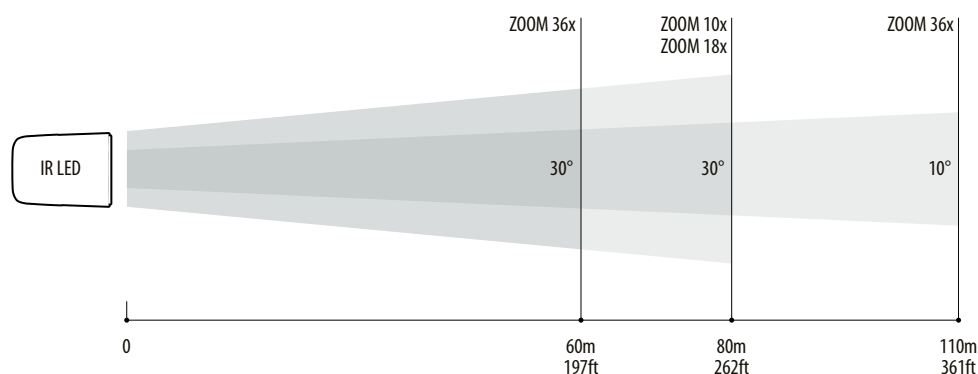
PACKAGE

Code	Unit weight		Package Weight		Package dimensions (WxHxL)		Master carton
	kg	lb	kg	lb	cm	in	unit
UC1PSSA000A	16.3	35.9	19.5	43.0	66.0x33.0x57.0	26.0x13.0x22.5	-

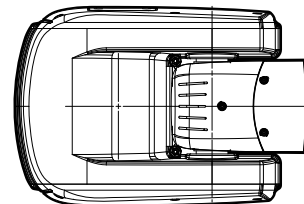
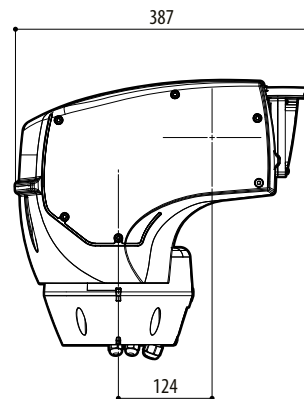
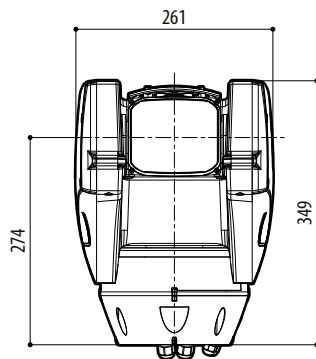
ULISSE COMPACT

AVAILABLE CAMERAS						
	SONY Day/Night 36x		SONY Day/Night 18x		SONY Day/Night 10x	
	PAL	NTSC	PAL	NTSC	PAL	NTSC
Optical zoom	36x		18x		10x	
Wide Dynamic Range	•					
High horizontal resolution	Up to 530 TV Lines		Up to 470 TV Lines		Up to 530 TV Lines	
Day-Night (Auto ICR)	•					
Image Sensor	1/4" EXView HAD CCD		1/4" EXview HAD CCD		1/3" Super HAD CCD II	
Number of effective Pixels	~ 440.000 pixel	~ 380.000 pixel	~ 440.000 pixel	~ 380.000 pixel	~ 440.000 pixel	~ 380.000 pixel
Min. night Illumination (ICR ON) (typical)	0,01 Lux / 1/3s	0,01 Lux / 1/4s	0,01 Lux / 1/3s	0,01 Lux / 1/4s	0,01 Lux / 1/3s	0,01 Lux / 1/4s
Min. day Illumination (ICR OFF) (typical)	0,1 Lux / 1/3s	0,1 Lux / 1/4s	0,1 Lux / 1/3s	0,1 Lux / 1/4s	0,1 Lux / 1/3s	0,1 Lux / 1/4s
"Shutter Time" automatic increase to improve the night surveillance	•					
S/N ratio	More than 50dB					
AE control	Auto, Manual, Priority mode, Bright, EV compensation, Backlight compensation		Auto, Shutter priority, Diaphragm priority, Brightness priority and Manual		Auto, Shutter priority, Diaphragm priority, Brightness priority and Manual	
Back Light Compensation	On/Off					
Spherical masking (3D) of Privacy zones with automatic upgrade	•					
Privacy Zone Masking	On/Off (24 positions)					
Maximum number of masking blocks to be displayed	8					
Resolution of masking blocks	160x120 HxV					
Masking	Up to 15 different masking types: 14 colour types or mosaic		Up to 14 colours available for different masking types		Up to 15 different masking types: 14 colour types or mosaic	
Focusing System	Auto (Sensitivity: Normal, Low), Trigger PTZ, Manual					
"Smart" Lens Control	SONY Modular Automatic Lens Reset Technology					
High Zoom and Wide Horizontal Field of View Capability	•		•			
Optical Zoom	36x, f=3.4 (wide) to 122.4mm (tele), F1.6 to F4.5		18x, f=4.1 (wide) a 73.8mm (tele), F1.4 to F3.0		10x, f=5.1mm (wide) to 51.0mm (tele), F1.8 to F2.1	
Digital Zoom	12x (432x with optical zoom)		12x (216x with optical zoom)		12x (120x with optical zoom)	
Angle of View (A)	57.8 degrees (wide) to 1.7 degrees (tele)		48 degrees (wide) to 2.8 degrees (tele)		52 degrees (wide) to 5.4 degrees (tele)	
Min. Object Distance	320mm (wide) to 1500mm (tele)		290mm (grandangolo) a 800mm (tele)		15mm (wide) to 800mm (tele)	
Electronic Shutter Speed	1/3 ÷ 1/100.000s	1/4 ÷ 1/100.000s	1/1 ÷ 1/100.000s	1/1 ÷ 1/100.000s	1/1 ÷ 1/100.000s	1/1 ÷ 1/100.000s

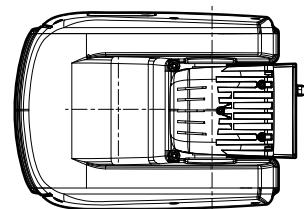
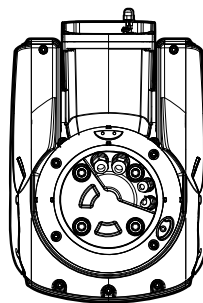
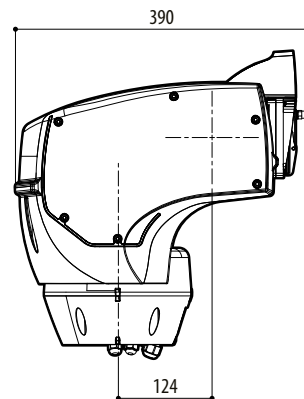
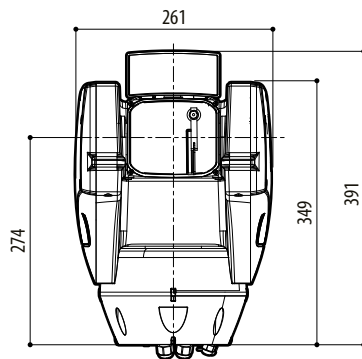
SONY is a registered trademark of SONY Corporation, Japan. EXview HAD is a registered trademark of SONY Corporation.



ULISSE COMPACT



ULISSE COMPACT



ULISSE COMPACT IR