

# ULISSE COMPACT THERMAL

## DUAL CAMERA POSITIONING UNIT FOR THERMAL IMAGING



### MAIN FEATURES

Positioning unit with integrated Day/Night camera, thermal camera, P&T head and telemetry receiver

Thermal camera image sensor: uncooled VOx microbolometer

35mm, 25mm and 9mm lens for thermal camera

Dual independent video output

Variable speed: 0.1°-200°/s Pan and 0.1°-200°/s Tilt

Pan rotation: continuous; Tilt rotation -90°/+90°

36x, 18x or 10x optical zoom capability for color camera

Integrated wiper for the cleaning of both viewing windows



ULISSE COMPACT THERMAL

### DESCRIPTION

ULISSE COMPACT THERMAL offers an integrated solution for vision even in total darkness, fog, rain, heavy smoke.

This integrated P&T unit combines an advanced thermal imaging camera and an optical day/night zoom module, factory-aligned and installed within the same enclosure.

ULISSE COMPACT THERMAL features two independent video outputs and allows dual real-time vision on monitors for an optimal monitoring of the area.

ULISSE COMPACT THERMAL offers continuous, high-speed rotation, positioning precision, superior image quality, utmost sturdiness and simplified system configuration. The speed reaches 200°/s in continuous horizontal rotation, with vertical range between -90° to +90°.

ULISSE COMPACT THERMAL manages the preset, auto-pan and patrol functions with an accuracy 0.1°. The unit perform a constant monitoring and correction of his position, very useful in case of difficult environmental conditions.

The thermal camera is an Uncooled Vanadium Oxide microbolometer (VOx) with spectral band 7.5-13.5 μm; it delivers a thermal video of 320x256 (PAL) and 320x240 (NTSC), with an image frequency of 8.3fps or 25 fps (PAL) and 7.5 or 30fps (NTSC). The high sensitivity NeD<sub>T</sub> 50mK at f/1.0 ensures an optimal thermal imaging. It supports 2x or 4x digital zoom. A choice of lens sizes is offered between 35mm, 25mm and 9mm, depending on the detection distance required.

The thermal camera parameters are easily configurable on OSD. The setup interface offers typical pre-set configurations or complete customization of the system.

The camera also has functions such as the Isothermal analysis (special colors of the objects that fall within the parameters set by the operator), base thermography and other colors of the scene.

The integrated day/night SONY camera offers a selection from different zoom lenses, 36x, 18x or 10x, which allows the recording with exceptional precision of both close-by and far away objects, as well as dynamic privacy zone masking. Furthermore, the Super HAD, 1/3" CCD (for 10x optical zoom) guarantees an excellent sensitivity in poorly lit environments.

ULISSE COMPACT THERMAL is also available with the only thermal camera. Supplied in 24, 230 or 120Vac and in PAL or NTSC mode.

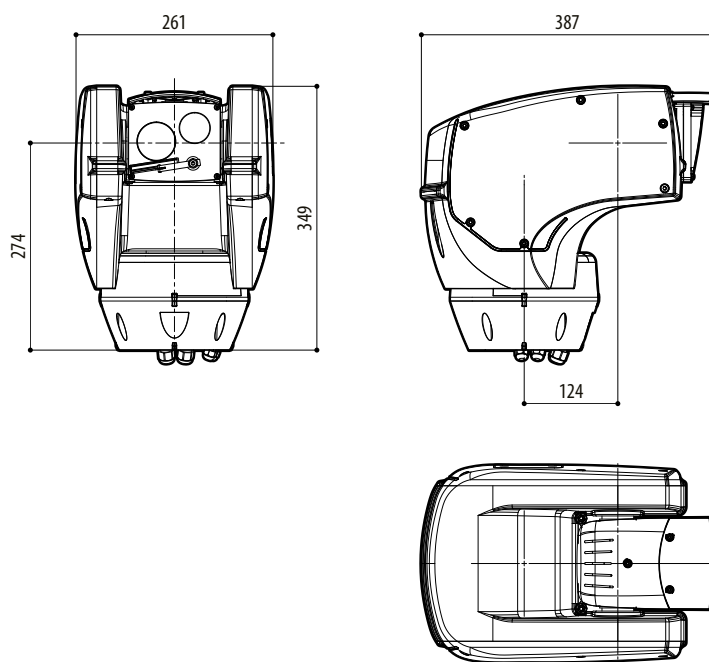


AVAILABLE MODELS						
Code	Power Supply	Optical Zoom	Thermal camera	Image frequency	Video signal	Wiper
UCT1PBWA000A	230Vac	36X	25mm	7.5-8.3Hz	PAL	•
UCT1PAWA000A	230Vac	36X	35mm	7.5-8.3Hz	PAL	•
UCT2PBWA000A	24Vac	36X	25mm	7.5-8.3Hz	PAL	•
UCT2PAWA000A	24Vac	36X	35mm	7.5-8.3Hz	PAL	•
UCT2NBWA000A	24Vac	36X	25mm	7.5-8.3Hz	NTSC	•
UCT2NAWA000A	24Vac	36X	35mm	7.5-8.3Hz	NTSC	•

## ULISSE COMPACT THERMAL

Besides the OSD configuration, the system is equipped with an RS485/RS422 interface for complete system control and for the updating in remote mode of the latest firmware version.

This solution is particularly suited for round-the-clock video surveillance in a wide range of high security environments such as perimeter protection, airports, coastlines, prisons and harbours.



# ULISSE COMPACT THERMAL

## TECHNICAL DATA

### GENERAL

Constructed from aluminium and tecnopolymer  
 Epoxy polyester powder painting, RAL9002 colour  
 Germanium glass window for thermal camera  
 Easy installation thanks to the self-centring connector  
 Zero backlash  
 Dynamic positioning control system

### MECHANICAL

2 cable glands M16 and 2 cable glands M12  
 Horizontal continuous rotation  
 Vertical rotation -90° to +90°  
 Variable pan speed: from 0.1° up to 200°/s  
 Variable tilt speed: from 0.1° up to 200°/s  
 Preset accuracy: 0.1°

### ELECTRICAL/VIDEO

Input voltage:

- 230Vac, 50/60Hz,
- 24Vac, 50/60Hz
- 120Vac, 50/60Hz

Current consumption:

- 230Vac, 0.4°
- 24Vac, 4°
- 120Vac, 0.8°

Power consumption:

- 40W with pan-and-tilt stopped and heating switched off
- 60W in motion, with heating switched off
- 125W peak at start-up, with heating switched on

Input cables size: AWG 16-19  
 Signal cables size: AWG 16-30  
 Video lines: coaxial cable (1Vpp, 750hm)  
 Functions: Autopan, Preset, Patrol, Tour (max 3), Autoflip  
 Maximum number of presets:

- AMERICAN DYNAMICS protocol: 95\*
- ERNITEC protocol: 250
- PANASONIC protocol: 250
- PELCO D protocol: 99\*
- VIDEOTEC MACRO protocol: 250
- \*250 from On Screen Menu only

16-characters string for zone and preset titling  
 I/O alarm card (option):

- 6 alarm inputs
- 2 relays outputs (2A 30Vac/60Vdc max)

## COMMUNICATIONS

Configuration through OSD  
 Half-duplex serial RS485 interface, full-duplex RS422 and daisy-chain architecture  
 Firmware updating from console in remote mode (only VIDEOTEC MACRO and PELCO D protocols)  
 Up to 1023 units, addressable by means of dip-switches

## PROTOCOLS

AMERICAN DYNAMICS, ERNITEC, VIDEOTEC MACRO, PANASONIC, PELCO D  
 AMERICAN DYNAMICS, ERNITEC, PANASONIC, PELCO are registered trademarks. ULISSE COMPACT may be interfaced with equipment not manufactured by VIDEOTEC. It is possible that the interface protocols have changed or are in a different configuration from earlier tested units. VIDEOTEC recommends a bench test prior to installation. VIDEOTEC will not be liable for any installation costs or lost revenues in the event a compatibility problem will occur.

## ENVIRONMENT

Indoor / Outdoor  
 Operating temperature: -40°C / +60°C (-40°F / +140°F)  
 Improved surge immunity: up to 2KV line to line, up to 4KV line to earth (Class 4), to achieve a better protection from lightning

## CERTIFICATIONS

CE EN60950-1, EN61000-6-3 and EN50130-4  
 FCC part 15, Class A  
 IP66 EN60529  
 UL pending  
 UL Canadian Safety Standards pending  
 NEMA 4X

## ACCESSORIES

UPTWAS01C	Tank 23l (6gal), IN 230Vac washer pump (prearranged for DTWRX board)
UPTWAS02C	Tank 23l (6gal), IN 24Vac washer pump (prearranged for DTWRX board)
UPTWAS03C	Tank 23l (6gal), IN 120Vac washer pump (prearranged for DTWRX board)
UPTWASA01C	Tank 23l (6gal), IN 230Vac washer pump, high delivery up 30m (98ft) (prearranged for DTWRX board)
UPTWASA03C	Tank 23l (6gal), IN 120Vac washer pump, high delivery up 30m (98ft) (prearranged for DTWRX board)

## BRACKETS AND ADAPTORS

UPTWBA	Wall bracket with internal cable channel
UPTWBTA	Parapet bracket with internal cable channel
PTCC1	Pole mount adapter for UPTWBA
WCWGC	Corner adaptor for UPTWBA

## RELATED PRODUCTS

ALBERT	Unit for the intelligent digital video content analysis
DCJ	Keyboard to control matrix, multiplexers and telemetry equipped with three axis joystick
DCT	Touch screen keyboard to control matrix, multiplexers, DVRs and telemetry equipped with three axis joystick

## PACKAGE

Code	Unit weight		Package weight		Package dimensions (WxHxL)		Master carton unit
	kg	lb	kg	lb	cm	in	
UCT1PBWA00A	12.5	27.6	15.5	34.2	66.0x33.0x57.0	26.0x13.0x22.5	-

## ULISSE COMPACT THERMAL

### ULISSE COMPACT THERMAL AVAILABLE BUILT-IN THERMAL CAMERAS

	Thermal camera 35mm		Thermal camera 25mm		Thermal camera 9mm	
	PAL	NTSC	PAL	NTSC	PAL	NTSC
Detector	Uncooled Vanadium Oxide microbolometer (VOx)					
Resolution	320x256	320x240	320x256	320x240	320x256	320x240
Pixel dimensions	25µm					
Spectral response - Infrared long wave (LWIR)	From 7.5µm to 13.5µm					
Internal shutter (only for sensor compensation)	Video stop < 1sec.					
Digital Detail Enhancement (DDE)	Yes		Yes		Yes	
Digital zoom	2x, 4x					
Image frequency	8.3fps, 25fps	7.5fps, 30fps	8.3fps, 25fps	7.5fps, 30fps	8.3fps, 25fps	7.5fps, 30fps
Image temperature range	-40°C ÷ +160°C (-40°F ÷ +320°F)					
Horizontal field of view	13°		18°		48°	
Vertical field of view	10°		14°		37°	
Focal length	F/1.4		F/1.4		F/1.25	

### ULISSE COMPACT THERMAL AVAILABLE BUILT-IN THERMAL CAMERAS

Man (detection / recognition / identification)	780m / 190m / 97m	560m / 140m / 70m	205m / 56m / 26m
Car (detection / recognition / identification)	2150m / 560m / 280m	1550m / 400m / 200m	590m / 150m / 74m

### ULISSE COMPACT THERMAL AVAILABLE ANALOG CAMERAS

	SONY Day/Night 36x		SONY Day/Night 18x		SONY Day/Night 10x	
	PAL	NTSC	PAL	NTSC	PAL	NTSC
Optical zoom	36x		18x		10x	
Wide Dynamic Range	Yes		No		No	
High horizontal resolution	Up to 530 TV Lines		Up to 470 TV Lines		Up to 530 TV Lines	
Day-Night (Auto ICR)	Yes					
Image Sensor	1/4" EXView HAD CCD		1/4" EXview HAD CCD		1/3" Super HAD CCD II	
Number of effective Pixels	~ 440000 pixel	~ 380000 pixel	~ 440000 pixel	~ 380000 pixel	~ 440000 pixel	~ 380000 pixel
Min. night Illumination (ICR ON) (typical)	0.01 Lux / 1/3s	0.01 Lux / 1/4s	0.01 Lux / 1/3s	0.01 Lux / 1/4s	0.0004 Lux / 1/3s	0.0004 Lux / 1/4s
Min. day Illumination (ICR OFF) (typical)	0.1 Lux / 1/3s	0.1 Lux / 1/4s	0.1 Lux / 1/3s	0.1 Lux / 1/4s	0.015 Lux / 1/3s	0.015 Lux / 1/4s
"Shutter Time" automatic increase to improve the night surveillance	Yes					
S/N ratio	More than 50dB					
AE control	Auto, Manual, Priority mode, Bright, EV compensation, Backlight compensation		Auto, Shutter priority, Diaphragm priority, Brightness priority and Manual		Auto, Shutter priority, Diaphragm priority, Brightness priority and Manual	
Back Light Compensation	On/Off					
Spherical masking (3D) of Privacy zones with automatic upgrade	Yes					
Privacy Zone Masking	On/Off (24 positions)					
Maximum number of masking blocks to be displayed	8					
Resolution of masking blocks	160x120 HxV					
Masking	Up to 15 different masking types: 14 colour types or mosaic		Up to 14 colours available for different masking types		Up to 15 different masking types: 14 colour types or mosaic	
Focusing System	Auto (Sensitivity: Normal, Low), Trigger PTZ, Manual					
"Smart" Lens Control	SONY Modular Automatic Lens Reset Technology					
Optical Zoom	36x, f=3.4 (wide) to 122.4mm (tele) / F1.6 to F4.5		18x, f=4.1 (wide) to 78.3mm (tele) / F1.4 to F3.0		10x, f=5.1 (wide) to 51.0mm (tele) / F1.8 to F2.1	
Digital Zoom	12x (432x with optical zoom)		12x (216x with optical zoom)		12x (120x with optical zoom)	
Angle of View (A)	57.8 degrees (wide) to 1.7 degrees (tele)		48 degrees (wide) to 2.8 degrees (tele)		52 degrees (wide) to 5.4 degrees (tele)	
Min. Object Distance	320mm (wide) to 1500mm (tele)		290mm (wide) to 800mm (tele)		15mm (wide) to 800mm (tele)	
Electronic Shutter Speed	1/1 ÷ 1/100					