

## iDS-2CD7026G0/S-AP 2 MP Box Network Camera

DarkFighter



### ▪ DeepinView<sup>series</sup>

- High quality imaging with 2 MP resolution
- Excellent low-light performance via DarkFighter technology
- Clear imaging against strong back light thanks to LightFighter technology
- Efficient H.265+ compression technology to save bandwidth and storage
- Advanced streaming technology enables smooth live view and data self-correction in poor networks
- High quality imaging with 2 MP resolution
- 5 streams and up to 5 custom streams to meet a wide variety of applications
- Built-in microphone for real-time audio security



## ▪ Function

### **Hard Hat Detection**

With the embedded deep learning algorithms, the camera detects the persons in the specified region. It detects whether the person is wearing a hard hat, and captures the head of the person and reports an alarm if not.

### **Queue Management**

With embedded deep learning based algorithms, the camera detects queuing-up people number and waiting time of each person. The body feature detection algorithm helps filter out wrong targets and increase the accuracy of detection.

### **Metadata**

Metadata uses individual instances of application data or the data content. Metadata can be used for third-party application development.

### **Smooth Streaming**

Smooth streaming offers solutions to improve the video quality in different network conditions. For example, in poor network conditions, adapting to the detected real-time network condition, streaming bit rate and resolution are automatically adjusted to avoid mosaic and lower latency in live view; in multiplayer network conditions, the camera transmits the redundant data for the self-error correcting in back-end device, so that to solve the mosaic problem because of the packet loss and error rate.

## ▪ Specification

Camera	
Image Sensor	1/1.8" Progressive Scan CMOS
Min. Illumination	Color: 0.001 Lux @ (F1.2, AGC ON); B/W: 0.0003 Lux @ (F1.2, AGC ON)
Shutter Speed	1 s to 1/100,000 s
Slow Shutter	Yes
P/N	P/N
Wide Dynamic Range	140 dB
Day & Night	IR cut filter.
Lens	
Lens Mount	CS mount
Fixed Aperture	Constant F1.2 throughout the zoom range
Blue Glass Module	Blue glass module to reduce ghost phenomenon.
ABF	Yes
P-Iris	Yes
Video	
Max. Resolution	1920 × 1080
Main Stream	50Hz: 50fps (1920 × 1080, 1280 × 720) 60Hz: 60fps (1920 × 1080, 1280 × 720)
Sub Stream	50Hz: 25fps (704 × 576, 640 × 480) 60Hz: 30fps (704 × 480, 640 × 480)
Third Stream	50Hz: 25fps (1920 × 1080, 1280 × 720, 704 × 576, 640 × 480) 60Hz: 30fps (1920 × 1080, 1280 × 720, 704 × 480, 640 × 480)
Fourth Stream	50Hz: 25fps (1920 × 1080, 1280 × 720, 704 × 576, 640 × 480) 60Hz: 30fps (1920 × 1080, 1280 × 720, 704 × 480, 640 × 480)
Fifth Stream	50Hz: 25fps (704 × 576, 640 × 480) 60Hz: 30fps (704 × 480, 640 × 480)
Custom Stream	50Hz: 25fps (1920 × 1080, 1280 × 720, 704 × 576, 640 × 480) 60Hz: 30fps (1920 × 1080, 1280 × 720, 704 × 480, 640 × 480)
Video Compression	Main stream: H.265+/H.265/H.264+/ H.264 Sub-stream/Third stream/Fourth stream/Fifth stream/custom stream: H.265/H.264/MJPEG
Video Bit Rate	32 Kbps to 16 Mbps
H.264 Type	Baseline Profile/Main Profile/High Profile
H.265 Type	Main Profile
H.264+	Main Stream supports
H.265+	Main Stream supports
Bit Rate Control	CBR/VBR
Stream Type	Main stream/Sub-stream/third stream/fourth stream/fifth stream/custom stream
Scalable Video Coding (SVC)	H.265 and H.264 support
Region of Interest (ROI)	4 fixed regions for each stream
Audio	
Environment Noise Filtering	Yes
Audio Sampling Rate	8 kHz/16 kHz/32 kHz/44.1 kHz/48 kHz

Audio Compression	G.711/G.722.1/G.726/MP2L2/PCM/MP3
Audio Bit Rate	64Kbps(G.711)/16Kbps(G.722.1)/16Kbps(G.726)/32-192Kbps(MP2L2)/32Kbps(PCM)/8-320Kbps(MP3)
Audio Type	mono sound
<b>Network</b>	
Simultaneous Live View	Up to 20 channels
API	Open Network Video Interface (PROFILE S, PROFILE G, PROFILE T), ISAPI, SDK, ISUP
Protocols	TCP/IP, ICMP, HTTP, HTTPS, FTP, SFTP, DHCP, DNS, DDNS, RTP, RTSP, RTCP, PPPoE, NTP, UPnP, SMTP, SNMP, IGMP, 802.1X, QoS, IPv6, UDP, Bonjour, SSL/TLS
Smooth Streaming	Yes
User/Host	Up to 32 users. 3 user levels: administrator, operator and user
Security	Password protection, complicated password, HTTPS encryption, 802.1X authentication (EAP-TLS, EAP-LEAP, EAP-MD5), watermark, IP address filter, basic and digest authentication for HTTP/HTTPS, WSSE and digest authentication for Open Network Video Interface, RTP/RTSP OVER HTTPS, Control Timeout Settings, Security Audit Log, TLS 1.2
Network Storage	microSD/SDHC/SDXC card (256 G) local storage, and NAS (NFS, SMB/CIFS), auto network replenishment (ANR) Together with high-end Hikvision memory card, memory card encryption and health detection are supported.
Client	iVMS-4200, Hik-Connect, Hik-Central
Web Browser	Plug-in required live view: IE8+ Plug-in free live view: Chrome 57.0+, Firefox 52.0+, Safari 11+ Local service: Chrome 41.0+, Firefox 30.0+
<b>Image</b>	
Smart IR	The IR LEDs on camera should support Smart IR function to automatically adjust power to avoid image overexposure.
Day/Night Switch	Day, Night, Auto, Schedule, Triggered by Alarm In
Target Cropping	Yes
Picture Overlay	LOGO picture can be overlaid on video with 128 × 128 24bit bmp format
Image Enhancement	BLC, HLC, 3D DNR, Defog, EIS, Distortion Correction
Image Parameters Switch	Yes
Image Settings	Rotate mode, saturation, brightness, contrast, sharpness, gain, white balance adjustable by client software or web browser
SNR	≥52dB
<b>Interface</b>	
Alarm	2 inputs, 2 outputs (max. 24 VDC, 1A)
Audio	1 input (line in), 1 output (line out), 3.5 mm connector, 2 channels, 1 built-in microphone
RS-485	1 RS-485(half duplex, HIKVISION, Pelco-P, Pelco-D, self-adaptive)
Video Output	1 Vp-p Composite Output (75Ω/CVBS) (For debugging only)
On-board Storage	Built-in micro SD/SDHC/SDXC slot, up to 256 GB
Hardware Reset	Yes
Communication Interface	1 RJ45 100M/1000M self-adaptive Ethernet
Power Output	12 VDC, max. 200 mA (supported by all power supply types)

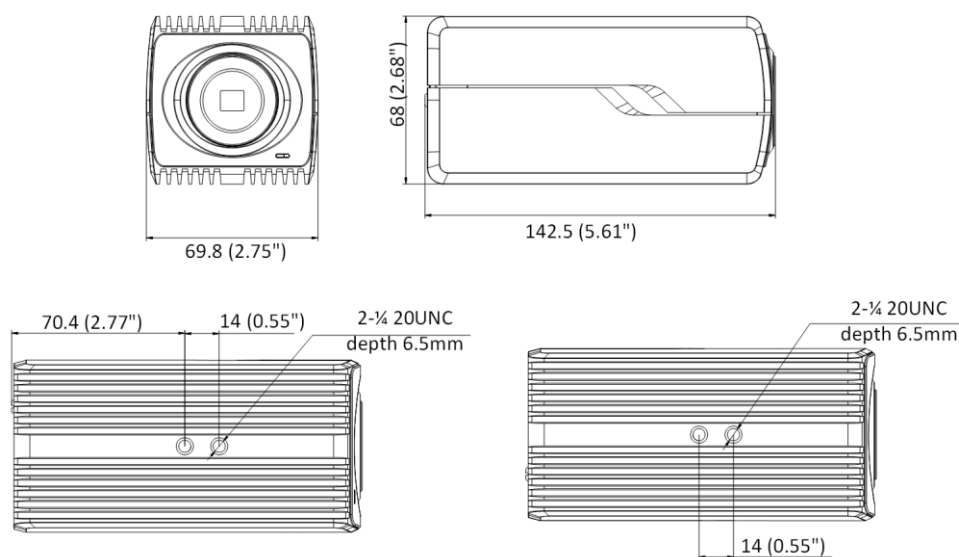
Smart Feature-Set	
Basic Event	Motion detection, video tampering alarm, exception (network disconnected, IP address conflict, illegal login, HDD full, HDD error)
Smart Event	Line crossing detection, up to 4 lines configurable Intrusion detection, up to 4 regions configurable Region entrance detection, up to 4 regions configurable Region exiting detection, up to 4 regions configurable Unattended baggage detection, up to 4 regions configurable Object removal detection, up to 4 regions configurable, Scene change detection, audio exception detection
Counting	Yes
Intelligent (Traditional Algorithm)	
Basic Event	Motion detection, video tampering alarm, exception (network disconnected, IP address conflict, illegal login, HDD full, HDD error)
Intelligent (Deep Learning Algorithm)	
Hard Hat Detection	Detects up to 30 human targets simultaneously; Supports up to 4 shield regions
Premier Protection	Line crossing, intrusion, region entrance, region exiting Support alarm triggering by specified target types (human and vehicle) Filtering out mistaken alarm caused by target types such as leaf, light, animal, and flag, etc.
Queue Management	Detects queuing-up people number, and waiting time of each person Generates reports to compare the efficiency of different queuing-ups and display the changing status of one queue Supports raw data export for further analysis
General	
Linkage Method	Upload to FTP/NAS/memory card, notify surveillance center, send email, trigger alarm output, trigger recording, trigger capture Trigger recording: memory card, network storage, pre-record and post-record Trigger captured pictures uploading: FTP, SFTP, HTTP, NAS, Email Trigger notification: HTTP, ISAPI, alarm output, Email
Online Upgrade	Yes
Dual Backup	Yes
Firmware Version	V5.5.121
Web Client Language	33 languages English, Russian, Estonian, Bulgarian, Hungarian, Greek, German, Italian, Czech, Slovak, French, Polish, Dutch, Portuguese, Spanish, Romanian, Danish, Swedish, Norwegian, Finnish, Croatian, Slovenian, Serbian, Turkish, Korean, Traditional Chinese, Thai, Vietnamese, Japanese, Latvian, Lithuanian, Portuguese (Brazil), Ukrainian
General Function	Anti-flicker, 5 streams and up to 5 custom streams, heartbeat, mirror, privacy masks, flash log, password reset via e-mail, pixel counter
Software Reset	Yes
Sustainability	Yes
Storage Conditions	-30 °C to 60 °C (-22 °F to 140 °F). Humidity 95% or less (non-condensing)
Startup and Operating Conditions	-30 °C to 60 °C (-22 °F to 140 °F). Humidity 95% or less (non-condensing)

Power Supply	12 VDC $\pm$ 24.9%, two-core terminal block, reverse polarity protection; 24 VAC $\pm$ 24.9%; PoE : 802.3af, Type 1, Class 3
Power Consumption and Current	With extra load: 12VDC, 1A, 24VAC, 0.79A, 50/60Hz, 12W; PoE (802.3af, 36-57VDC), 0.34 to 0.21A, Class 3
Power Interface	Two-core terminal block
Screw Material	Mild steel
Camera Dimension	142.5 $\times$ 69.8 $\times$ 68 mm (5.61" $\times$ 2.75" $\times$ 2.68")
Package Dimension	315 $\times$ 140 $\times$ 140 mm (12.4" $\times$ 5.51" $\times$ 5.51")
Camera Weight	730g (1.96 lb.)
With Package Weight	1115g (2.99 lb.)
<b>Metadata</b>	
Metadata	Metadata of intrusion detection, line crossing detection, region entrance detection, region exiting detection, unattended baggage detection, object removal, and queue management are supported.
<b>Approval</b>	
Class	Class B
EMC	FCC (47 CFR Part 15, Subpart B); CE-EMC (EN 55032: 2015, EN 61000-3-2: 2014, EN 61000-3-3: 2013, EN 50130-4: 2011 +A1: 2014); RCM (AS/NZS CISPR 32: 2015); IC (ICES-003: Issue 6, 2016); KC (KN 32: 2015, KN 35: 2015)
Safety	UL (UL 60950-1); CB (IEC 60950-1:2005 + Am 1:2009 + Am 2:2013); CE-LVD (EN 60950-1:2005 + Am 1:2009 + Am 2:2013); BIS (IS 13252(Part 1):2010+A1:2013+A2:2015); LOA (IEC/EN 60950-1)
Environment	CE-RoHS (2011/65/EU); WEEE (2012/19/EU); Reach (Regulation (EC) No 1907/2006)

## ▪ Available Model

iDS-2CD7026G0/S-AP

## ▪ Dimension



Unit: mm (inch)

▪ **Accessory**



**DS-1292ZJ**  
**Wall Mount**



**DS-1299ZJ**  
**Pendant Mount**



**DS-1332HZ**  
**Indoor Housing**



**DS-1331HZ-B**  
**Outdoor Housing**  
**+ DS-2202ZJ**  
**Integrated**  
**Mount**



**DS-1293ZJ**  
**Wall Mount**



**DS-1214ZJ**  
**Horizontal Pole**  
**Mount**



**DS-1269ZJ**  
**Pendant Mount**



**DS-1233ZJ**  
**Column**  
**Mount**



**HV3816D-8MPIR**  
**3.8 to 16 mm DC**  
**Iris**



**HV0415D-MP**  
**4 to 15 mm DC**  
**Iris**



**HV1140P-8MPIRA**  
**11 to 40 mm P-Iris**



**HV1140D-8MPIRA**  
**11 to 40 mm DC Iris**

**HV3816P-8MPIR**  
**3.8 to 16 mm**  
**P-iris**

**HV0733D-6MP**  
**7 to 33 mm DC Iris**

Distributed by



**HIKVISION®**

**Headquarters**

No.555 Qianmo Road, Binjiang District,  
 Hangzhou 310051, China  
 T +86-571-8807-5998  
 overseasbusiness@hikvision.com

**Hikvision USA**  
 T +1-909-895-0400  
 sales.usa@hikvision.com

**Hikvision Australia**  
 T +61-2-8599-4233  
 salesau@hikvision.com

**Hikvision India**  
 T +91-22-28469900  
 sales@pramahikvision.com

**Hikvision Canada**  
 T +1-866-200-6690  
 sales.canada@hikvision.com

**Hikvision Thailand**  
 T +662-275-9949  
 sales.thailand@hikvision.com

**Hikvision Europe**  
 T +31-23-5542770  
 sales.eu@hikvision.com

**Hikvision Italy**  
 T +39-0438-6902  
 info.it@hikvision.com

**Hikvision Brazil**  
 T +55 11 3318-0050  
 Latam.support@hikvision.com

**Hikvision Turkey**  
 T +90 (216)521 7070- 7074  
 sales.tr@hikvision.com

**Hikvision Malaysia**  
 T +601-7652-2413  
 sales.my@hikvision.com

**Hikvision UK & Ireland**  
 T +01628-902140  
 sales.uk@hikvision.com

**Hikvision South Africa**  
 Tel: +27 (10) 0351172  
 sale.africa@hikvision.com

**Hikvision France**  
 T +33(0)1-85-330-450  
 info.fr@hikvision.com

**Hikvision Kazakhstan**  
 T +7-727-9730667  
 nikia.panfilov@hikvision.ru

**Hikvision Vietnam**  
 T +84-974270888  
 sales.vt@hikvision.com

**Hikvision UAE**  
 T +971-4-4432090  
 salesme@hikvision.com

**Hikvision Singapore**  
 T +65-6684-4718  
 sg@hikvision.com

**Hikvision Spain**  
 T +34-91-737-16-55  
 info.es@hikvision.com

**Hikvision Tashkent**  
 T +99-87-1238-9438  
 uzb@hikvision.ru

**Hikvision Hong Kong**  
 T +852-2151-1761  
 info.hk@hikvision.com

**Hikvision Russia**  
 T +7-495-669-67-99  
 saleru@hikvision.com

**Hikvision Korea**  
 T +82-(0)31-731-8817  
 sales.korea@hikvision.com

**Hikvision Poland**  
 T +48-22-460-01-50  
 info.pl@hikvision.com

**Hikvision Indonesia**  
 T +62-21-2933759  
 Sales.Indonesia@hikvision.com

**Hikvision Colombia**  
 sales.colombia@hikvision.com