

RC302SV-1117



H.264 Full HD Indoor Ultra Compact IP Dome Camera with Sony Starvis Sensor

- Full HD1080p @ 30fps
- Video Compression: H.264, MJPEG
- Digital Day/Night and true WDR
- Video Dual Stream
- MicroSD/SDHC Memory Card Slot
- ONVIF Support, PoE (IEEE 802.3af)
- Embedded VCA Technology Video Analytics
- Burnt-in Text, Video Motion Detection
- Vandal Proof IK-09



Specifications

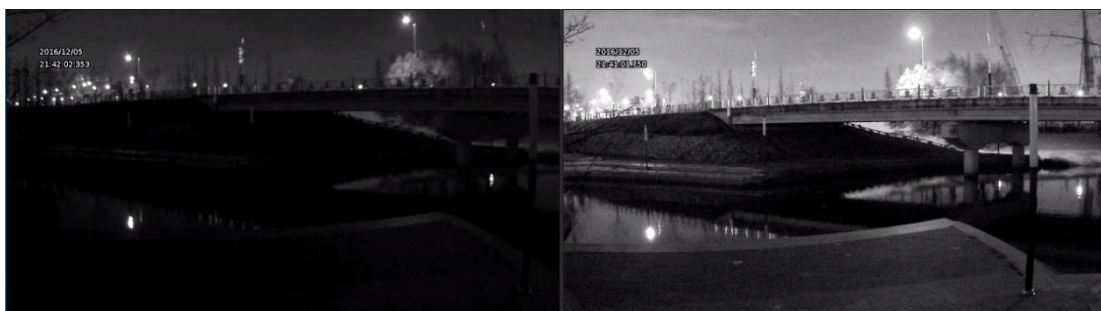
CAMERA		
Image Sensor	SONY STARVIS EXMOR 1/2.8" 1080p CMOS	
Effective Pixels	1920 x 1080	
Scanning System	Progressive scanning	
AGC Control	Auto, adjustable amplification factor	
Minimum Illumination	Color : 0.04 Lux (DSS On) B/W : 0.006 Lux (DSS On)	
Lens	2.8mm, fixed Iris, F2.0	
Lens Angle of View	Horizontal: Approx. 114° Vertical: Approx. 63°	
Shutter Time	1/10000s to 1/2s	
Shutter Exposure Modes	Automatic - with configurable min/max shutter speed (exposure time range) Manual - with configurable fixed shutter speed Flicker-Control - 50/60Hz	
Day & Night Switching	Digital software related Day & Night switching	
Image Settings	Configurable brightness, contrast, saturation, sharpness, vertical flip & horizontal mirror function Corridor Mode (-90° / +90° image flip)	
2D-DNR	Configurable digital noise reduction 1 ~ 16	
Wide Dynamic Range	Up to 120dB Dynamic Range with WDR	
Exposure Adjustment	+1.0, +0.6, +0.3, 0, -0.3, -0.6, -1.0 EV	
White Balance	ATW1 / ATW2 / Push / Manual	
DSS (Sens-up)	Configurable digital slow shutter 2X ~ 16X	
Backlight Compensation	BLC On/Off (possible to designate zone)	
Focus Assistant	Video display to simplify the focus point adjustment	
VIDEO		
Video Compression	H.264 Baseline, Main, High profile (MPEG-4 Part 10/AVC), MJPEG (Motion JPEG)	
Video Streaming	Dual Stream, Independent Configurable H.264: Controllable frame rate and image resolution, bandwidth limitation (VBR/CBR) MJPEG: Controllable frame rate and image resolution, JPEG quality	
Resolutions	16:9 mode	1920x1080, 1280x720, 1120x630, 960x540, 800x450, 640x360, 480x270, 320x180
	4:3 mode	SXGA(1280x960), XGA(1024x768), SVGA (800x600), PAL(720x576), NTSC(720x480) VGA(620x480), QVGA(320x240)
Frame Rate	H.264: Configurable up to max 30fps in all resolution* MJPEG: Configurable up to max 30fps in all resolution*	

VIDEO	
Video Stabilization	Supported for First/Second Stream and Snapshot
Smart Bitrate Control	Supported (It works in VBR mode)
Motion Detection	Max. 8 zones with independent configuration of detection sensitivity and target object size
Burnt-in Text	Free positioning of display for time/ data/ name (name up to 48 signs)
Privacy Mask Zones	4 flexible configurable region
NETWORK	
Ethernet Standard/IP	10 / 100 Base-T / IPv4, IPv6
Protocol	QoS Layer 3 DiffServ, TCP/IP, UDP/IP, HTTP, HTTPS, FTP, RTSP, RTCP, RTP/UDP, RTP/TCP, mDNS, UPnP™, SMTP, DHCP, DNS, DynDNS, NTP, SNMPv1/v2c/v3(MIB-II), IGMP, ICMP, SSLv2/v3, TLSv1/1.2, SRTP, RTMP, IEEE802.1X
Users Connection	Live viewing for up to 10 clients
Security	HTTPS (SSL), IP Filtering, Multi-level access with password protection
GENERAL	
Edge Storage	Via micro SD/SDHC card (up to 32GB) for continuous or event recording. Search interface for event files, playback and download (card not included).
Application Programming Interface	Software Development Kit (SDK) available ONVIF compliant
Event Metadata Streaming RTSP/RTP	Video Motion Detection(MD), Video Content Analytics(VCA)
ONVIF	Version: 2.41 (Support Profile S and G)
Event Sources	Video Motion Detection, Tamper Detection, Video Content Analytics(VCA), Network Loss/Detect, Network Setting Change, Time (Recurrence / Schedule)
Event Actions	Notification service via TCP/IP, HTTP, multicast or email text messages with snapshot, file upload on external FTP server, local SD memory card recording
Approvals	FCC, CE, IK-09, RoHs
ELECTRICAL	
Power Source	PoE (IEEE 802.3af)
Power Consumption	(Approx) 4.5W @ PoE

ENVIRONMENT	
Operation Temperature	PoE : 0°C ~ 50°C (32°F ~ 122°F)
Operating Humidity	Up to 85% RH, Non-condensing
MECHANICAL	
Material	Aluminum Die-Casting, Anti-vandal bubble (PC)
Color	White
Dimension	Housing: 106 (Ø) x 56 (H) mm, (Ø4.2" x 2.2")
Weight (Approx)	270g (0.6 lbs)
VIDEO CONTENT ANALYSIS (Included as Standard)	
High Performance	Advanced tracking algorithm and low false alarm rate
Easy to Use	Intuitive web browser interface
Detection Zones and Rules	Up to 40 zones (multi-segment polygons and lines) 60 VCA filter rules in total
On-screen Display	Real-time display of tracking data and events via activeX plug-in in IE browser
Burnt in Annotation	Allows the VCA annotation to be burnt into the raw video stream for displaying on third party application
Tamper Detection	Recognize camera tampering via VCA detection (defocusing, lens covering, camera moving)

VIDEO CONTENT ANALYSIS (Option extension License)	
Available License	VCAdetectIP, VCAcountIP, VCAadvancedIP, VCAprofessionalIP
VCA Detection Filters	Object: Enter, Exit, Appear, Disappear, Stop, Direction, Dwell, Speed, Unauthorized Access, Counting Line, Color Filter, Object Classification
VCA Features	<ul style="list-style-type: none"> - Up to 20 Onscreen Counter Displays - Counting-Line for accuracy people and vehicle counting with local database and reporting service - VCA calibration via 3D tools for right object size detection - Several definable object class to include into the detection rules for the VCA alarm - 10 colors in total to distinguish objects by color - People tracking mode to tracks individuals separately among overlapped multiple people - Heatmap Report shows relative crowd density of the 24 hour period (criterion: midnight)
Logical Rules	Extension of alarm rules using logical operators (AND, OR..) for the VCA detection filters of created zones / lines
Info VCA	Details regarding supported VCA filters and features of the different extension licenses find on RIVA Product Overview document

* If VCA is activate, frame rate is limit to max15fps@1080p. Limitations are based on V.1.12.0.8 firmware release and could be changed without notice



Standard Camera

RC302SV-1117

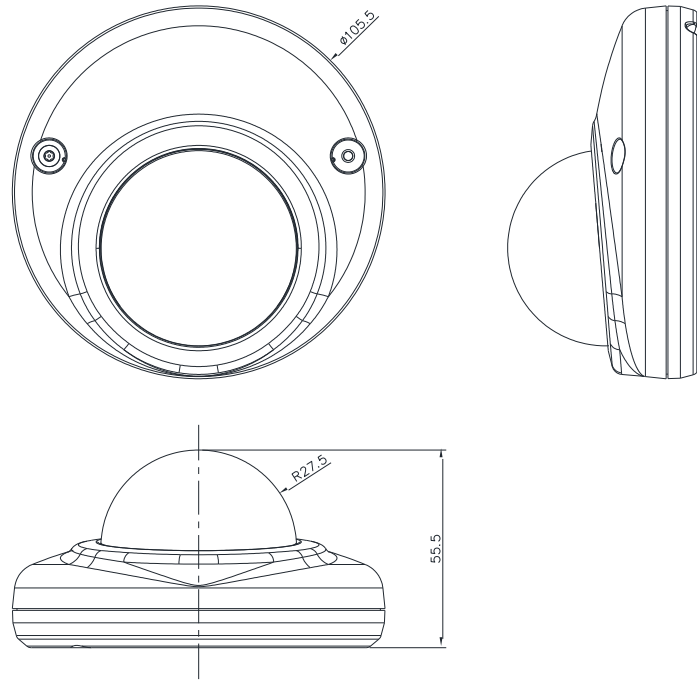
■ Super Low Light Performance

With CCTV being expected to work effectively 24/7 regardless of lighting conditions, one of the key concerns for end-users is poor visibility at night time. The RC302SV-7117 is able to capture superb quality images both during the day and in low light conditions. Equipped with a Sony STARVIS image sensor, the RC302SV-7117 delivers brighter images compared to those captured by conventional Full HD IP cameras, enabling objects and people to be seen in greater detail.

■ Improved Performance of Video Analytics

RC302SV-7117's superior imaging functionality in low light conditions promotes the leading-edge video analytics to perform its best by eliminating the low light barrier that causes the video analytics engine to have difficulty detecting objects.

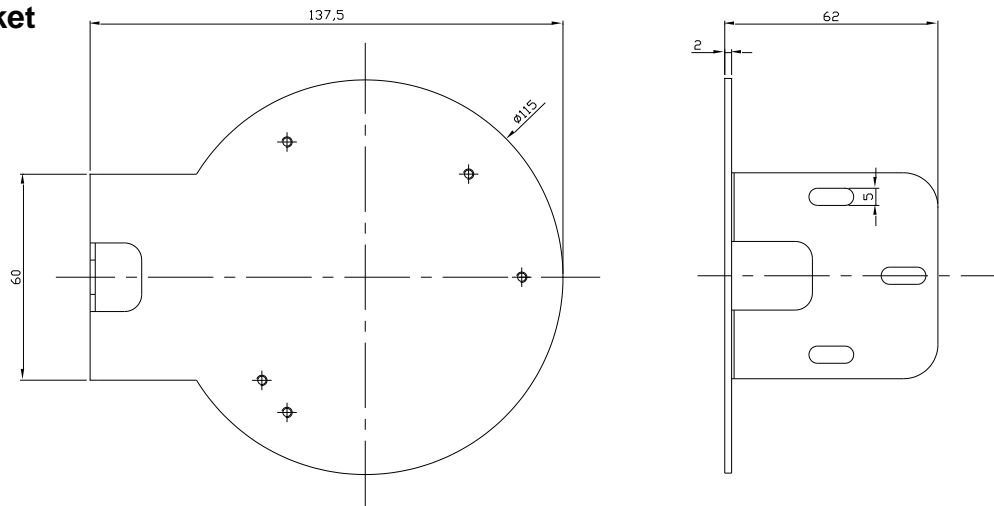
Dimension (Unit: m)



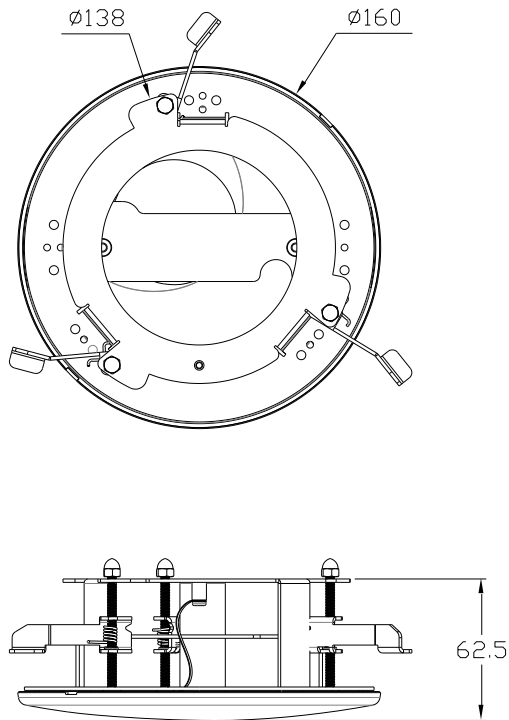
Accessories

Wall Mount Bracket

WMB-3200
Weight: 226g (0.5lb)

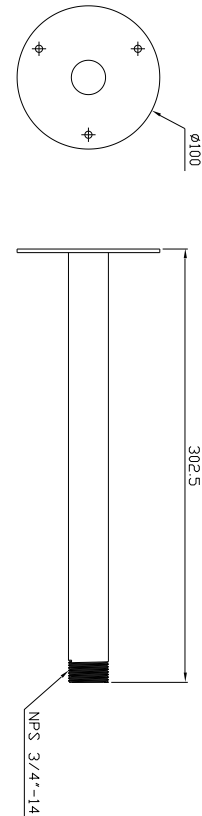


Accessories



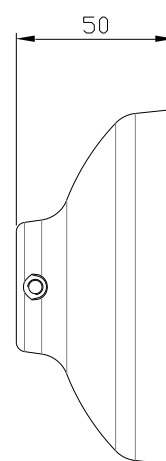
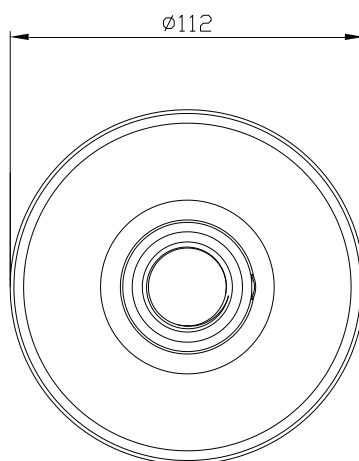
Flush Mount Bracket

Model: FMB-300
Weight: 385g (0.85lbs)



Ceiling Mount Bracket

Model: CMB-300
Weight: 275g (0.61lbs)



Pendant Mount Cap

Model: PMC-300
Weight: 165g (0.4lbs)