



SN-IPV57/80ECDR/B

12MP Fisheye Network Camera



Key Features

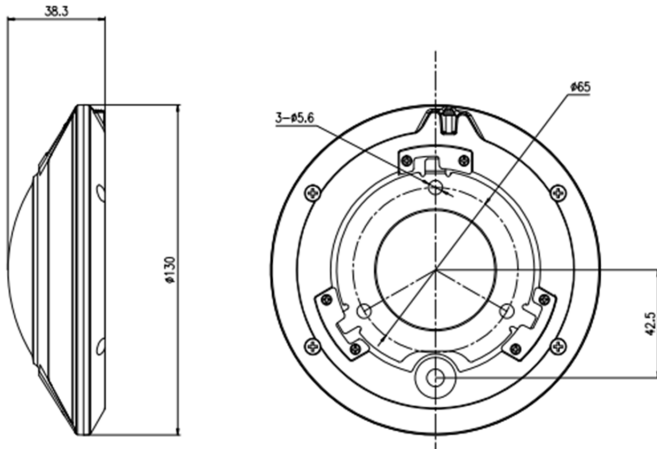
- 1/1.7" progressive scan CMOS
- 20fps@12MP(4000×3000)
- Triple streams
- Unique de-warping image
- Image distortion correction
- Support camera & software de-warping
- DWDR, 3D DNR, ROI, Defog, HLC, EIS
- Smart IR up to 15m
- IP66

Specification

Camera	
Image Sensor	1/1.7" Progressive Scan CMOS
Effective Pixels	4000(H)×3000 (V)
Electronic Shutter	1/5-1/20,000s
Min. illumination	Color:0.009Lux@(F1.2,AGC ON) B/W:0Lux@(IR LED ON)
S/N Ratio	55dB
Day/Night	ICR
Wide Dynamic Range	DWDR
IR Range	Up to 15m
IR On/Off Control	Auto/ Manual
IR LEDs	6pcs
Pan/Tilt/Rotation Range	N/A
Lens	
Lens Type	Fixed
Iris	Fixed Iris
Focal Length	1.83mm
F Number	F2.4
Angle of View	180°×180°
Focus Control	Fixed
Video	
Compression	H.265, H.264, MJPEG
Max. Resolution	12MP(4000×3000)
Streaming Capability	3 Streams
Stream / Frame Rate	Stream1: 4000×3000 @20fps, 4096×2160/3840×2160/1920×1080/1280×720 @25/30fps Stream2: D1/VGA/640×360/CIF @25/30fps Stream3: VGA/CIF/QVGA @25/30fps
Bit Rate Control	CBR/VBR
Bit Rate	Stream1: 500kbps~16000kbps Stream2: 100kbps~6000kbps Stream3: 100kbps~3000kbps
Image Enhancement	HLC / BLC / Anti-shake / Defog / DWDR
White Balance	Support
Gain Control	Auto/Manual
Noise Reduction	2D/3D DNR
Smart IR	Support
Mirror	Support
Aisle Mode	Support

Region of Interest	Support
Motion Detection	Support
Privacy Masking	Support
Audio	
Compression	G.711 ,RAW_PCM
Bit Rate	64kbps (G.711), 128kps (RAW_PCM)
Network	
Protocols:	IPv4/IPv6, 802.1x, HTTP, HTTPS, TCP/IP, UDP/IP, RTSP, DHCP, NTP, RTCP/RTP, PPPoE, SMTP, DNS, UPnP, FTP, ARP, SNMP
Interoperability	ONVIF, SDK, CGI
Streaming Method	Unicast
Max. User Access	10 Users
Web Viewer	<IE11, Chrome, Firefox
Management Software	SunView
Smart Phone	IOS, Android
Intelligence	
IVS	Perimeter, Single Virtual Fence, Double Virtual Fences, Loiter, Multi Loiter, Object Left, Object Removed, Abnormal Speed, Converse, Illegal Parking, Signal Bad
Interface	
Ethernet	1 Ethernet (10/100 Base-T) RJ-45 Connector
Audio	1ch Input, 1ch Output, 1ch Built-in Mic
Alarm	1ch Input, 1ch Output
RS485	N/A
CVBS Output	N/A
Reset Button	Support
Storage	Built-in Micro SD/SDHC/SDXC slot, up to 128G
Electrical	
Power Supply	DC12V/POE (IEEE 802.3af)
Power Consumption	5W(IR LED OFF), 9W (IR LED ON)
Operating Temperature	Starting Temperature: -30°C ~ 60°C (-22°F ~ 140°F) Working Temperature: -40°C ~ 60°C (-40°F ~ 140°F)
Operating Humidity	Less than 90% RH
Ingress Protection	IP66
Certifications	CE / FCC
Casing	Metal
Dimensions	Φ130×38.3mm
Net Weight	500g

Dimensions(mm)



Accessories

Optional:



SN-CBK645A
Junction Box