

Network Video Recorder

NVR-VP-310-E Series



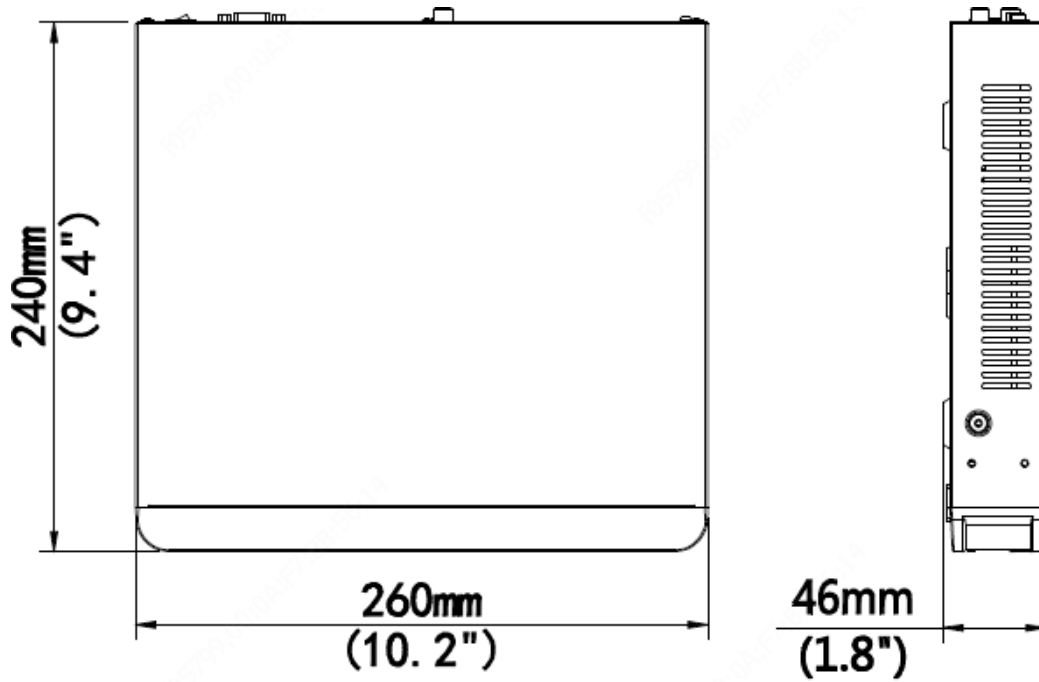
Key Features

- Support Ultra 265/H.265/H.264 video formats
- 4/8/16-channel input
- Third-party IP cameras supported with ONVIF conformance: Profile S, Profile G, Profile T
- Support 1-ch HDMI, 1-ch VGA, HDMI at up to 4K (3840x2160) resolution
- HDMI and VGA simultaneous output
- Up to 8 Megapixels resolution recording
- 1 SATA HDD up to 10 TB
- ANR technology to enhance the storage reliability when the network is disconnected
- Support cloud upgrade

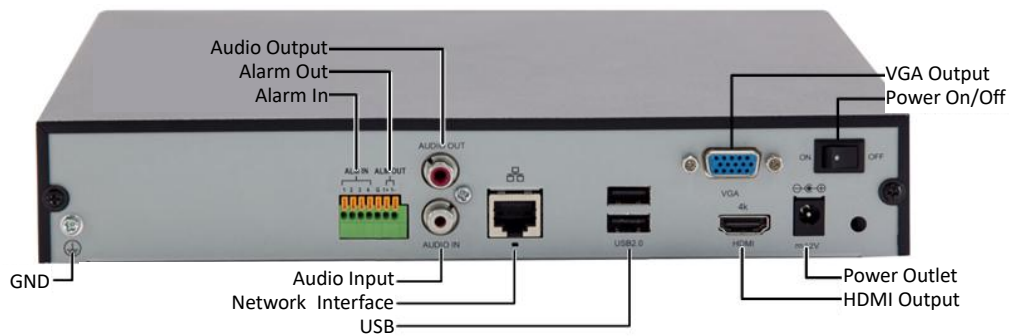
Specifications

| Model | NVR-VP-3104E | NVR-VP-3108E | NVR-VP-31016E |
|---------------------------|---|--------------|---------------|
| Video/Audio Input | | | |
| IP Video Input | 4-ch | 8-ch | 16-ch |
| Two-way Audio Input | 1-ch, RCA | | |
| Network | | | |
| Incoming Bandwidth | 40Mbps | 60Mbps | 80Mbps |
| Outgoing Bandwidth | 64Mbps | 64Mbps | 80Mbps |
| Remote Users | 128 | | |
| Protocols | P2P, UPnP, NTP, DHCP, PPPoE | | |
| Video/Audio Output | | | |
| HDMI/VGA Output | HDMI: 4K(3840x2160)/30Hz, 1920x1080p/60Hz, 1920x1080p/50Hz, 1600x1200/60Hz, 1280x1024/60Hz, 1280x720/60Hz, 1024x768/60Hz VGA: 1920x1080p/60Hz, 1920x1080p/50Hz, 1600x1200/60Hz, 1280x1024/60Hz, 1280x720/60Hz, 1024x768/60Hz | | |
| Recording Resolution | 8MP/6MP/5MP/4MP/3MP/1080p/960p/720p/D1/2CIF/CIF | | |
| Audio Output | 1-ch, RCA | | |
| Synchronous Playback | 4-ch | 8-ch | 16-ch |
| Corridor Mode Screen | 3/4 | 3/4/5/7/9 | |
| Decoding | | | |
| Decoding format | Ultra 265, H.265, H.264 | | |
| Live view/Playback | 8MP/6MP/5MP/4MP/3MP/1080p/960p/720p/D1/2CIF/CIF | | |
| Capability | 1 x 4K@30, 2 x 4MP@30, 4 x 1080p@30, 8 x 720p@30, 16 x D1 | | |
| Hard Disk | | | |
| SATA | 1 SATA interface | | |
| Capacity | up to 10TB for each disk | | |
| Smart | | | |
| VCA Detection | Face detection, Intrusion detection, Cross line detection, Audio detection, Defocus detection, Scene change detection, Auto tracking | | |
| VCA Search | Face search, Behavior search | | |
| Statistical Analysis | People counting | | |
| External Interface | | | |
| Network Interface | 1 RJ-45 10M/100M Self-adaptive Ethernet Interface | | |
| USB Interface | Rear panel: 2 x USB2.0, Front panel: 1 x USB2.0 | | |
| Alarm In | 4-ch | | |
| Alarm Out | 1-ch | | |
| General | | | |
| Power Supply | 12V DC Power Consumption: ≤ 8 W (without HDD) | | |
| Working Environment | -10°C~+ 55°C (+14°F~+131°F), Humidity ≤ 90% RH (non-condensing) | | |
| Dimensions (W×D×H) | 260mm×240mm×46mm (10.2"×9.4" ×1.8") | | |
| Weight (without HDD) | ≤ 1.12Kg (2.47lb) | | |

Dimensions



Rear Panel



Zhejiang Uniview Technologies Co., Ltd.

Building No.10, Wanlun Science Park, Jiangling Road 88, Binjiang District, Hangzhou, Zhejiang, China

Email: overseasbusiness@uniview.com; globalsupport@uniview.com

<http://www.uniview.com>

©2011-2019 Zhejiang Uniview Technologies Co., Ltd. All rights reserved.

* Product specifications and availability are subject to change without notice.