

IPC-D640H-Z/-V 4 MP Varifocal Dome Network Camera



- High quality imaging with 4 MP resolution
- Efficient H.265+ compression technology to save bandwidth and storage
- Clear imaging against strong back light due to 120 dB true WDR technology
- Water and dust resistant (IP67) and vandal proof (IK10)
- Motorized varifocal lens for easy installation and monitoring

▪ Specification

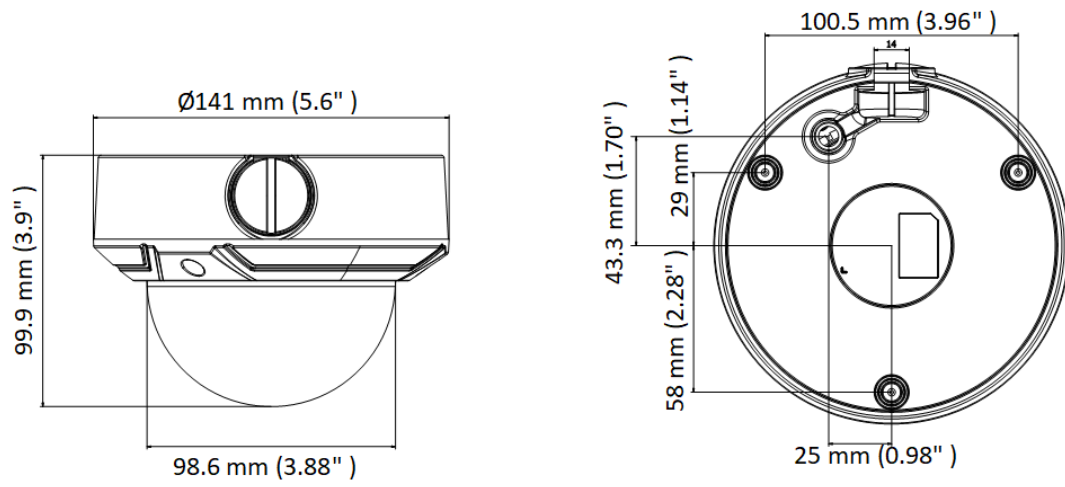
| Camera | |
|--------------------------|--|
| Image Sensor | 1/3" Progressive Scan CMOS |
| Max. Resolution | 2560 × 1440 |
| Min. Illumination | Color: 0.005 Lux @(F1.6, AGC ON), B/W: 0 Lux with IR |
| Shutter Speed | 1/3 s to 1/100,000 s |
| Wide Dynamic Range | 120 dB |
| Day & Night | IR Cut Filter |
| Angle Adjustment | Pan: 0° to 355°, tilt: 0° to 70°, rotation: 0° to 355° |
| Lens | |
| Lens Type | Varifocal Lens, motoried lens, 2.8 to 12 mm |
| Focal Length & FOV | 2.8 to 12 mm: horizontal FOV 102° to 31°, vertical FOV 54° to 17°, diagonal FOV 123° to 35° |
| Lens Mount | Ø14 |
| Iris Type | Fixed |
| Aperture | F1.6 |
| Illuminator | |
| IR Wavelength | 850 nm |
| IR Range | Up to 30 m |
| Video | |
| Main Stream | 50 Hz: 20 fps (2560 × 1440) 25 fps (2304 × 1296, 1920 × 1080, 1280 × 720) 60 Hz: 20 fps (2560 × 1440) 30 fps (2304 × 1296, 1920 × 1080, 1280 × 720) |
| Sub-Stream | 50 Hz: 25 fps (1280 × 720, 640 × 480, 640 × 360) 60 Hz: 30 fps (1280 × 720, 640 × 480, 640 × 360) |
| Video Compression | Main stream: H.265+/H.265/H.264+/H.264 Sub-stream: H.265/H.264/MJPEG |
| Video Bit Rate | 32 Kbps to 8 Mbps |
| H.264 Type | Baseline Profile/Main Profile/High Profile |
| H.265 Type | Main Profile |
| Region of Interest (ROI) | 1 fixed region for main stream |
| Network | |
| Protocols | TCP/IP, ICMP, HTTP, HTTPS, FTP, DHCP, DNS, DDNS, RTP, RTSP, RTCP, NTP, UPnP™, SMTP, IGMP, 802.1X, QoS, IPv6, Bonjour, IPv4, UDP, SSL/TLS |
| Simultaneous Live View | Up to 6 channels |
| API | Open Network Video Interface, ISAPI |
| User/Host | Up to 32 users. 3 levels: administrator, operator and user |
| Client | iVMS-4200, Hik-Connect |
| Web Browser | Plug-in required live view: IE 10+ Plug-in free live view: Chrome 57.0+, Firefox 52.0+ Local service: Chrome 57.0+, Firefox 52.0+ |

| Image | |
|----------------------------------|---|
| Image Settings | Saturation, brightness, contrast, sharpness, AGC, white balance adjustable by client software or web browser |
| Day/Night Switch | Auto, Schedule, Day, Night |
| Image Enhancement | BLC, 3D DNR |
| Interface | |
| Ethernet Interface | 1 RJ45 10 M/100 M self-adaptive Ethernet port |
| On-Board Storage | Built-in memory card slot, support microSD card, up to 256 GB |
| Reset Key | Yes |
| Event | |
| Basic Event | Motion detection, video tampering alarm, exception |
| Linkage | Upload to FTP, notify surveillance center, send email, upload to memory card, trigger recording, trigger capture |
| General | |
| Power | 12 VDC \pm 25%, 0.8 A, max. 10 W, \varnothing 5.5 mm coaxial power plug PoE: 802.3af, Class 3, 36 V to 57 V, 0.32 A to 0.2 A, max. 11.5 W |
| Camera Material | Metal |
| Camera Dimension | \varnothing 141 mm \times 99.9 mm (\varnothing 5.6" \times 3.9") |
| Package Dimension | 140 mm \times 140 mm \times 154 mm (5.5" \times 5.5" \times 6.1") |
| Camera Weight | Approx. 820 g (1.8 lb.) |
| With Package Weight | Approx. 1200 g (2.6 lb.) |
| Storage Conditions | -30 °C to 60 °C (22 °F to +140 °F). Humidity 95% or less (non-condensing) |
| Startup and Operating Conditions | -30 °C to 60 °C (22 °F to +140 °F). Humidity 95% or less (non-condensing) |
| Language | English, Ukrainian |
| General Function | Anti-flicker, heartbeat, mirror, password protection, privacy mask, watermark, IP address filter |
| Approval | |
| EMC | FCC SDoC (47 CFR Part 15, Subpart B); CE-EMC (EN 55032: 2015, EN 61000-3-2: 2014, EN 61000-3-3: 2013, EN 50130-4: 2011 +A1: 2014); RCM (AS/NZS CISPR 32: 2015); IC VoC (ICES-003: Issue 6, 2016); KC (KN 32: 2015, KN 35: 2015) |
| Safety | UL (UL 60950-1); CB (IEC 60950-1:2005 + Am 1:2009 + Am 2:2013, IEC 62368-1:2014); CE-LVD (EN 60950-1:2005 + Am 1:2009 + Am 2:2013, IEC 62368-1:2014); BIS (IS 13252(Part 1):2010+A1:2013+A2:2015) |
| Environment | CE-RoHS (2011/65/EU); WEEE (2012/19/EU); Reach (Regulation (EC) No 1907/2006) |
| Electrical Safety Protection | IP67 (IEC 60529-2013), IK10 (IEC 62262:2002) |

▪ Available Model

IPC-D640H-Z (2.8 to 12 mm)

▪ Dimension



Unit: mm (inch)

▪ Accessory

▪ Optional

| | | | | |
|--|---|--|--|--|
| <p>HIA-B402-135 Wall Mount</p>  | <p>HIA-B101-135 Pendant Mount</p>  | <p>HIA-J104-DM21 Junction Box</p>  | <p>HIA-P102 Rain Shade</p>  | <p>HIA-B404 Wall Mount</p>  |
| <p>HIA-J203-DM23 Inclined ceiling Junction Box</p>  | <p>HIA-B301 Vertical Pole Mount</p>  | <p>HIA-B201 Corner Mount</p>  | <p>D20-AP Adapter Plate</p>  | <p>HIA-B501 In-ceiling Mount</p>  |
| <p>HIA-P103 Rain Shade</p>  | <p>HIA-B402-135B Wall Mount</p>  | | | |