

DP-1208HQHI-K1/E(S) SERIES TURBO HD DVR

Key Features

- H.265 Pro+/H.265 Pro/H.265 video compression
- HDTVI/AHD/CVI/CVBS/IP video input
- Audio via coaxial cable
- Up to 6/12/24-ch IP camera inputs (up to 6 MP)
- Max. 800 m for 1080p and 1200 m for 720p HDTVI signal transmission
- Up to 10 TB capacity per HDD



Compression and Recording

- H.265 Pro+ can be enabled to improve encoding efficiency and reduce data storage costs
- Full channel recording at up to 4 MP lite resolution

Storage and Playback

- Smart search for efficient playback
- Support the third party cloud storage

Smart Function

- Support multiple VCA (Video Content Analytics) events for both analog and smart IP cameras
- Support 4-ch line crossing detection and intrusion detection; DP-1208HQHI-K1/E(S) supports 1-ch sudden scene change detection

Network & Ethernet Access

- Hik-Connect & DDNS (Dynamic Domain Name System) for easy network management
- Max. 24/48/96 Mbps incoming bandwidth and output bandwidth limit configurable

Specification

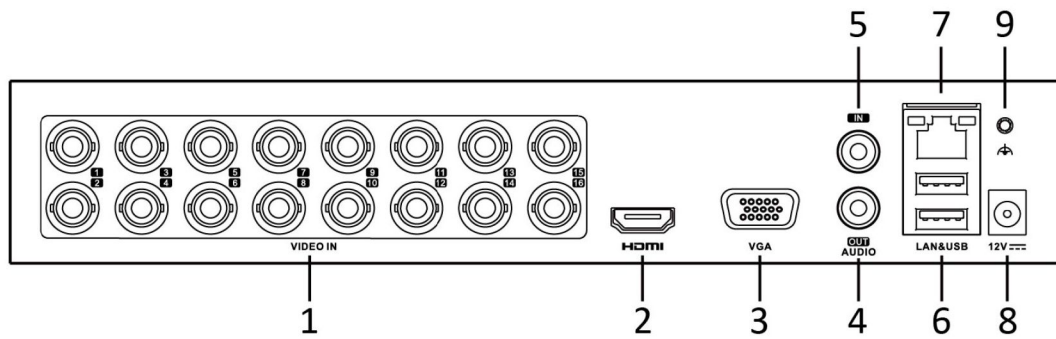
Model	DP-1204HQHI-K1/E(S)	DP-1208HQHI-K1/E(S)	DP-1216HQHI-K1/E(S)
Perimeter Protection¹			
Line Crossing Detection/ Intrusion Detection	2-ch Enhanced VCA mode on: 4-ch	2-ch Enhanced VCA mode on: 4-ch	2-ch Enhanced VCA mode on: 4-ch
Recording			
Video compression	H.265 Pro+/H.265 Pro/H.265/H.264+/H.264		
Encoding resolution	When 1080p lite mode is not enabled: 4 MP lite/3 MP/1080p/720p/VGA/WD1/4CIF/CIF When 1080p Lite mode is enabled: 4 MP lite/3 MP/1080p lite/720p lite/VGA/WD1/4CIF/CIF		
Frame rate	Main stream: When 1080p Lite mode is not enabled: For 4 MP stream access: 4 MP lite@15fps; 1080p lite/720p/WD1/4CIF/VGA/CIF@25fps (P)/30fps (N) For 3 MP stream access: 3 MP/1080p/720p/VGA/WD1/4CIF/CIF@15fps For 1080p stream access: 1080p/720p@15fps; VGA/WD1/4CIF/CIF@25fps (P)/30fps (N) For 720p stream access: 720p/VGA/WD1/4CIF/CIF@25fps (P)/30fps (N) When 1080p Lite mode is enabled: 4 MP lite/3 MP@15fps; 1080p lite/720p lite/VGA/WD1/4CIF/CIF@25fps (P)/30fps (N) Sub-stream: WD1/4CIF@12fps; CIF@25fps (P)/30fps (N)		
Video bit rate	32 Kbps to 6 Mbps		
Dual stream	Support		
Stream type	Video, Video & Audio		
Audio compression	G.711u		
Audio bit rate	64 Kbps		
Video and Audio			
IP video input²	1-ch (up to 5-ch) Enhanced IP mode on: 2-ch (up to 6-ch), each up to 4 Mbps	2-ch (up to 10-ch) Enhanced IP mode on: 4-ch (up to 12-ch), each up to 4 Mbps	2-ch (up to 18-ch) Enhanced IP mode on: 8-ch (up to 24-ch), each up to 4 Mbps
	Up to 6 MP resolution		
	Support H.265+/H.265/H.264+/H.264 IP cameras		
Analog video input	4-ch	8-ch	16-ch
	BNC interface (1.0 Vp-p, 75 Ω), supporting coaxitron connection		
HDTV input	4 MP, 3 MP, 1080p25, 1080p30, 720p25, 720p30 *: The 3 MP signal input is only available for channel 1 of DP-1204HQHI-K1/E(S) for channel 1/2 of DP-1208HQHI-K1/E(S) and for channel 1/2/3/4 of DP-1216HQHI-K1/E(S)		
AHD input	4 MP, 1080p25, 1080p30, 720p25, 720p30		
HDCVI input	4 MP, 1080p25, 1080p30, 720p25, 720p30		

CVBS input	PAL/NTSC		
CVBS output	N/A		
VGA output	1-ch, 1920 × 1080/60Hz, 1280 × 1024/60Hz, 1280 × 720/60Hz, 1024 × 768/60Hz		
HDMI output	1-ch, 1920 × 1080/60Hz, 1280 × 1024/60Hz, 1280 × 720/60Hz, 1024 × 768/60Hz HDMI and VGA simultaneous output		1-ch, 4K (3840 × 2160)/30Hz, 2K (2560 × 1440)/60Hz, 1920 × 1080/60Hz, 1280 × 1024/60Hz, 1280 × 720/60Hz, 1024 × 768/60Hz HDMI and VGA simultaneous output
Audio input	1-ch, RCA (2.0 Vp-p, 1 KΩ)		
	4-ch via coaxial cable	8-ch via coaxial cable	16-ch via coaxial cable
Audio output	1-ch, RCA (Linear, 1 KΩ)		
Two-way audio	1-ch, RCA (2.0 Vp-p, 1 KΩ) (using the first audio input)		
Synchronous playback	4-ch	8-ch	16-ch
Network			
Total bandwidth	72 Mbps	96 Mbps	128 Mbps
Incoming bandwidth (Enhanced IP mode)	24 Mbps	48 Mbps	96 Mbps
Remote connection	32	64	128
Network protocol	TCP/IP, PPPoE, DHCP, Hik-Connect, DNS, DDNS, NTP, SADP, NFS, iSCSI, UPnP™, HTTPS, ONVIF		
Network interface	1, RJ45 10M/100M self-adaptive Ethernet interface		1, RJ45 10M/100M/1000M self-adaptive Ethernet interface
Auxiliary interface			
SATA	1 SATA interface		
Capacity	Up to 10 TB capacity for each disk		
Serial interface	N/A		
USB interface	Rear panel: 2 × USB 2.0		
Alarm in/out	N/A		
General			
Power supply	12 VDC, 1.5 A	12 VDC, 1.33 A	12 VDC, 1.9 A
Consumption (without HDD)	≤ 5 W	≤ 9 W	≤ 13 W
Working temperature	-10 °C to +55 °C (+14 °F to +131 °F)		
Working humidity	10% to 90%		
Dimension (W × D × H)	265 × 225 × 48 mm (10.4 × 8.9 × 1.9 inch)		
Weight (without HDD)	≤ 1.6 kg (3.5 lb)		≤ 1.7 kg (3.7 lb)

Note:

- 1: Enabling enhanced VCA mode will maximize the connectable channel number for perimeter protection (line crossing detection and intrusion detection), but disable 2K/4K HDMI output resolution and 4 MP signal input.
- 2: Enhanced IP mode might be conflicted with smart events (perimeter protection) or other functions, please refer to the user manual for details.

Physical Interface



No.	Description	No.	Description
1	Video and Coaxial Audio In	6	USB Interface
2	HDMI Interface	7	LAN Network Interface
3	VGA Interface	8	Power Input
4	AUDIO OUT, RCA Connector	9	GND
5	AUDIO IN, RCA Connector		