

DP-2CE10DFT-FC 2 MP Full Time Color Camera

ColorVu



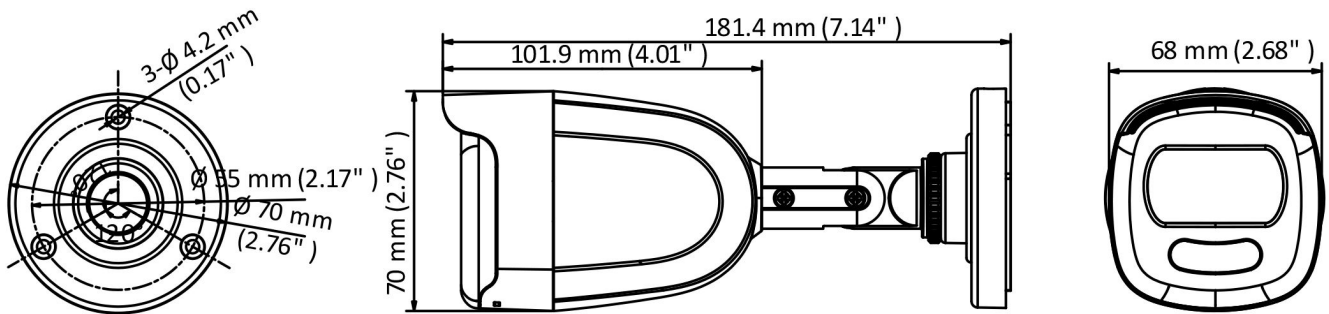
Key Feature

- 2 MP, 1920 × 1080 resolution
- 24-hour colorful image
- 120 dB true WDR, 3D DNR
- 3.6 mm, 6 mm fixed focal lens
- Smart Light, up to 20 m white light distance
- 4 in 1 video output (switchable TVI/AHD/CVI/CVBS)
- IP67

Specification

Camera	
Image Sensor	2 MP CMOS
Signal System	PAL/NTSC
Resolution	1920 (H) × 1080 (V)
Frame Rate	TVI: 1080p@30fps, 1080p@25fps AHD: 1080p@30fps, 1080p@30fps CVI: 1080p@30fps, 1080p@25fps CVBS: PAL/NTSC
Min. illumination	Color: 0.0008 Lux @ (F1.0, AGC ON), 0 Lux with white light
Shutter Time	PAL: 1/25 s to 1/50, 000 s NTSC: 1/30 s to 1/50, 000 s
Slow Shutter	Max. 16 times
Lens	3.6 mm, 6 mm fixed lens
Field of View	3.6 mm, horizontal FOV: 83.0°, vertical FOV: 44.4°, diagonal FOV: 98.0° 6 mm, horizontal FOV: 51.0°, vertical FOV: 28.5°, diagonal FOV: 58.7°
Lens Mount	M16
Day & Night	Color
WDR (Wide Dynamic Range)	≥120 dB
Angle Adjustment	Pan: 0° to 360°; Tilt: 0° to 180°; Rotate: 0° to 360°
Menu	
White Light	AUTO/OFF
Image Mode	STD/HIGH-SAT
AGC	Yes
White Balance	Auto/Manual
AE (Auto Exposure) Mode	WDR/BLC/HLC/Global
Privacy Mask	4 programmable privacy masks
Motion Detection	4 programmable motion areas
Noise Reduction	3D DNR
Language	English
Function	Brightness, Sharpness, Mirror, Smart Light, Defective Pixel Correction
Interface	
Video Output	Switchable TVI/AHD/CVI/CVBS
General	
Operating Conditions	-40 °C to 60 °C (-40 °F to 140 °F), humidity: 90% or less (non-condensing)
Power Supply	12 VDC ±25% <i>*You are recommended to use one power adapter to supply the power for one camera.</i>
Power Consumption	Max. 3 W
Protection Level	IP67
Material	Metal
White Light	Up to 20 m
Communication	HIKVISION-C
Dimensions	181.4 mm × 70 mm × 68 mm (7.14" × 2.75" × 2.68")
Weight	Approx. 390 g (0.86 lb.)

Dimension



Accessory

