

# PNV-A6081R

2MP Network AI IR Vandal Dome Camera



## Key Features

- Max. 2MP resolution, Up to 120fps
- 0.007Lux@F1.3, 1/30sec. (Color), 0Lux (B/W, IR LED on)
- Day & Night (ICR), WDR (120dB), WiseNR II (Using AI engine)
- H.265, H.264, MJPEG, WiseStream II, WiseStreamIII (Using AI engine)
- Video Analytics based on AI
  - Object detection and classification (Person, Face, Vehicle, License Plate)
  - Face mask detection, Social distancing detection
  - Attribute, BestShot
- Compatible with Wisenet Retail Insight v2.0 for Business Intelligence
  - Age/gender based People counting
  - Heatmap, Queue management
- TPM with FIPS 140-2 level2, Secure boot, Verify firmware forgery
- System requirements
  - SSM v2.10.8 or later, Genetec plugin v1.0 or later, Milestone plugin v1.0.2 or later, NVR model (XRN-6410DB4/B4, XRN-3210B4)
- Hard-coated dome bubble/IP66, IP67, IP6K9K, IK10+, NEMA4X

## Compatible Accessories (Optional)



Video	
Imaging Device	1/2" CMOS
Resolution	1920x1080, 1280x1024, 1280x960, 1280x720, 1024x768, 800x600, 800x448, 720x576, 720x480, 640x480, 640x360
Max. Framerate	H.265/H.264: Max. 60/50fps(60Hz/50Hz, AI analytics on), Max. 120/100fps(60Hz/50Hz, AI analytics off) MJPEG: Max. 15fps/12fps(60Hz/50Hz)
Min. Illumination	Color: 0.007Lux(F1.3, 1/30sec, 30IRE) B/W : 0.0007Lux(F1.3, 1/30sec, 30IRE), 0Lux(IR LED on), 30/25fps Color: 0.014Lux(F1.3, 1/60sec, 30IRE) B/W : 0.0014Lux(F1.3, 1/60sec, 30IRE), 0Lux(IR LED on), 60/50fps Color: 0.028Lux(F1.3, 1/120sec, 30IRE) B/W : 0.0028Lux(F1.3, 1/120sec, 30IRE), 0Lux(IR LED on), 120/100fps
Video Out	CVBS: 1.0 Vp-p / 75Ω composite, 720x480(N), 720x576(P) for installation USB: Micro USB Type B, 1280x720 for installation
Lens	
Focal Length (Zoom Ratio)	4.38~9.33mm(2.13x) motorized varifocal
Max. Aperture Ratio	F1.3(Wide)~F2.15(Tele)
Angular Field of View	H:103.1°(Wide)~44.5°(Tele) / V:54.2°(Wide)~24.9°(Tele) / D:124°(Wide)~51.1°(Tele)
Min. Object Distance	0.5m(1.64ft)
Focus Control	Simple focus
Lens Type	P iris
Pan / Tilt / Rotate	
Pan / Tilt / Rotate Range	0~360 / -45~85 / 0~355
Operational	
Camera Title	Displayed up to 85 characters
Day & Night	Auto(ICR)
Backlight Compensation	BLC, WDR, SDR
Wide Dynamic Range	120dB
Digital Noise Reduction	SSNR, WiseNR II (using AI engine)
Digital Image Stabilization	Stabilization Support(built-in gyro sensor)
Motion Detection	8ea, polygonal zones
Privacy Masking	6ea, rectangle zones - Color: Gray/Green/Red/Blue/Black/White
Gain Control	Low / Middle / High
White Balance	ATW / AWC / Manual / Indoor / Outdoor
LDC	Support
Electronic Shutter Speed	Minimum / Maximum / Anti flicker (1/5~1/12,000sec) Auto prefer shutter control based on AI engine
Video Rotation	Flip, Mirror, Hallway view(90/270)

<b>Analytics</b>	<ul style="list-style-type: none"> <li>- Classified object type : Person/Face/Vehicle/License plate with attributes, BestShot per object</li> <li>- Analytics events based on AI engine : Object detection, Face mask detection, Directional detection, Digital auto tracking, Enter/Exit, Loitering, Virtual line, Social distancing detection</li> <li>- Analytics events : Defocus detection, Motion detection, Appear/Disappear, Tampering, Audio detection, Sound classification, Shock detection</li> </ul>
<b>Business Intelligence</b>	People counting, Queue management, Heatmap based on AI engine
<b>Alarm I/O</b>	Input 1ea / Output 1ea / DC 12V Power(Max. 50mA) 1ea
<b>Alarm Triggers</b>	Analytics, Network disconnect, Alarm input
<b>Alarm Events</b>	File upload via FTP and e-mail Notification via e-mail SD/SDHC/SDXC or NAS recording at event triggers Alarm output Handover Audio playback
<b>Audio In</b>	Selectable(mic in/line in) Supply voltage: 2.5VDC(4mA), Input impedance: 2K Ohm
<b>Audio Out</b>	Line out, Max.output level: 1Vrms
<b>IR Viewable Length</b>	40m(131.23ft), Wise IR
<b>Network</b>	
<b>Ethernet</b>	Metal shielded RJ-45(10/100/1000 BASE-T)
<b>Video Compression</b>	H.265/H.264: Main/High, MJPEG
<b>Audio Compression</b>	G.711 u-law /G.726 Selectable G.726(ADPCM) 8KHz, G.711 8KHz G.726: 16Kbps, 24Kbps, 32Kbps, 40Kbps AAC-LC: 48Kbps at 16KHz
<b>Smart Codec</b>	Manual(5ea area), WiseStream II , WiseStreamIII(using AI engine)
<b>Bitrate Control</b>	H.264/H.265: CBR or VBR MJPEG: VBR
<b>Streaming</b>	Unicast(6 users) / Multicast Multiple streaming(Up to 5 profiles)
<b>Protocol</b>	IPv4, IPv6, TCP/IP, UDP/IP, RTP(UDP), RTP(TCP), RTCP,RTSP, NTP, HTTP, HTTPS, SSL/TLS, DHCP, FTP, SMTP, ICMP, IGMP, SNMPv1/v2c/v3(MIB-2), ARP, DNS, DDNS, QoS, UPnP, Bonjour, LLDP, SRTP (TCP, UDP Unicast)
<b>Security</b>	HTTPS(SSL) Login Authentication Digest Login Authentication IP Address Filtering User access log 802.1X Authentication(EAP-TLS, EAP-LEAP) Device Certificate(Hanwha Techwin Root CA) TPM with FIPS 140-2 level2 Secure boot, Verify firmware forgery
<b>Application Programming Interface</b>	ONVIF Profile S/G/T SUNAPI(HTTP API) Wisenet open platform
<b>General</b>	
<b>Webpage Language</b>	English, French, German, Spanish, Italian, Chinese, Korean, Russian, Japanese, Swedish, Portuguese, Czech, Polish, Turkish, Dutch, Hungarian, Greek

Edge Storage	Micro SD/SDHC/SDXC 2slots 512GB
Memory	4096MB RAM, 512MB Flash

### Environmental & Electrical

Operating Temperature / Humidity	-50°C ~ +55°C(-58°F ~ +131°F) / Less than 90% RH * Start up should be done at above -30°C
Storage Temperature / Humidity	-50°C ~ +60°C(-58°F ~ +140°F) / Less than 90% RH
Certification	IP66/IP67/IP6K9K, IK10+, NEMA4X
Input Voltage	PoE+(IEEE802.3at), 12VDC
Power Consumption	PoE+: Max 19.50W, typical 16.00W 12VDC: Max 17.00W, typical 13.50W

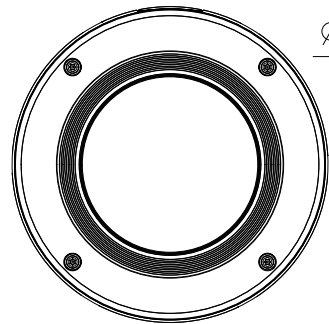
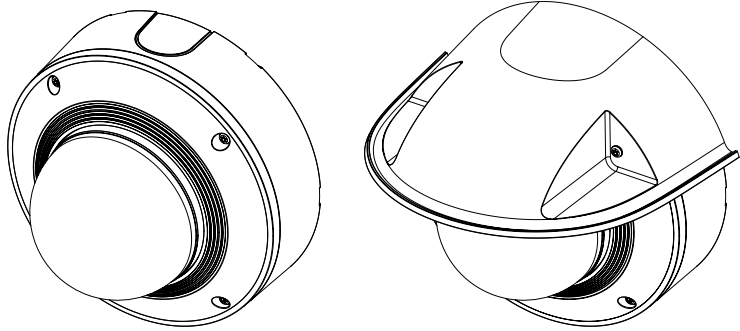
### Mechanical

Color / Material	White / Aluminum, Hard-coated dome bubble
RAL Code	RAL9003
Product Dimensions / Weight	Ø180x125mm(7.09x4.92"), Weight : 1.90Kg (4.19lb)

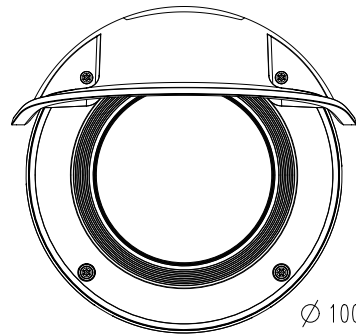
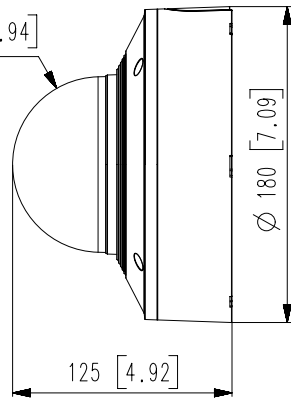
### DORI (EN62676-4 standard)

Detect (25PPM/ 8PPF)	Wide: 62.9m(206.34ft) / Tele: 183m(600.33ft)
Observe (63PPM/ 19PPF)	Wide: 25.1m(82.34ft) / Tele: 73.3m(240.46ft)
Recognize (125PPM/ 38PPF)	Wide: 12.6m(41.33ft) / Tele: 36.6m(120.07ft)
Identify (250PPM/ 76PPF)	Wide: 6.3m(20.67ft) / Tele: 18.3m(60.03ft)

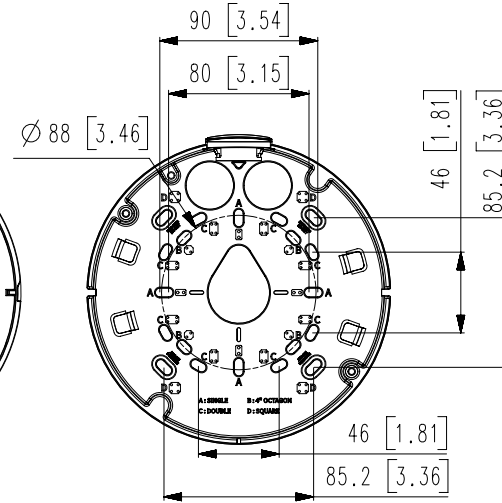
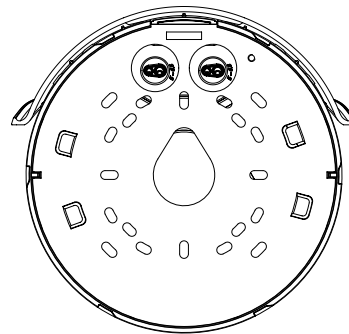
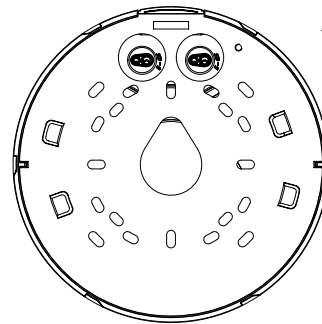
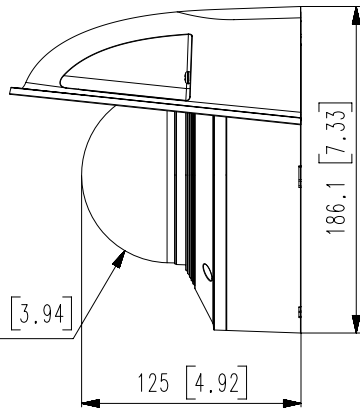
- The latest product information / specification can be found at [hanwha-security.com](http://hanwha-security.com)
- Design and specifications are subject to change without notice.
- Wisenet is the proprietary brand of Hanwha Techwin, formerly known as Samsung Techwin.



Ø 100 [3.94]



Ø 100 [3.94]



No.	MODEL NAME	DATE
13	PNV-A6081R	21.02.08
12	PNV-A9081ROP	20.12.30
11	PNV-A9081RLP	20.12.30
10	XNV-9082R	19.12.18
9	XNV-8082R	19.12.18
8	XNV-8081RE	19.12.18
7	XNV-6081RE	19.12.18
6	PNV-A9081R	19.09.27
5	XNV-8081R	19.09.27
4	XNV-6081R	19.09.27
3	XNV-6081	19.09.27
2	XNV-8081Z	19.09.27
1	XNV-6081Z	19.09.27

Unit:mm[inch] SCALE:1/1 © Hanwha Techwin