

iDS-2CD8426G0/F-I DeepinView Dual-Lens Face Recognition Camera



Vsmart IPC

iDS-2CD8426G0/F-I adopts advanced deep learning algorithm and powerful GPU to realize instant face detection, capture, and comparison to accomplish face recognition and related alarm triggering.

The camera can be widely used in retail industry and security departments, such as hotel, shopping malls to improve the VIP service, custom, airport to control some key passageway.

- 1/2.8" Progressive Scan CMOS
- 1920 × 1080 @ 30fps
- 120dB WDR
- H.265+, H.265, H.264+, H.264
- 5 video streams
- Face recognition
- IR range up to 10 m



Specifications

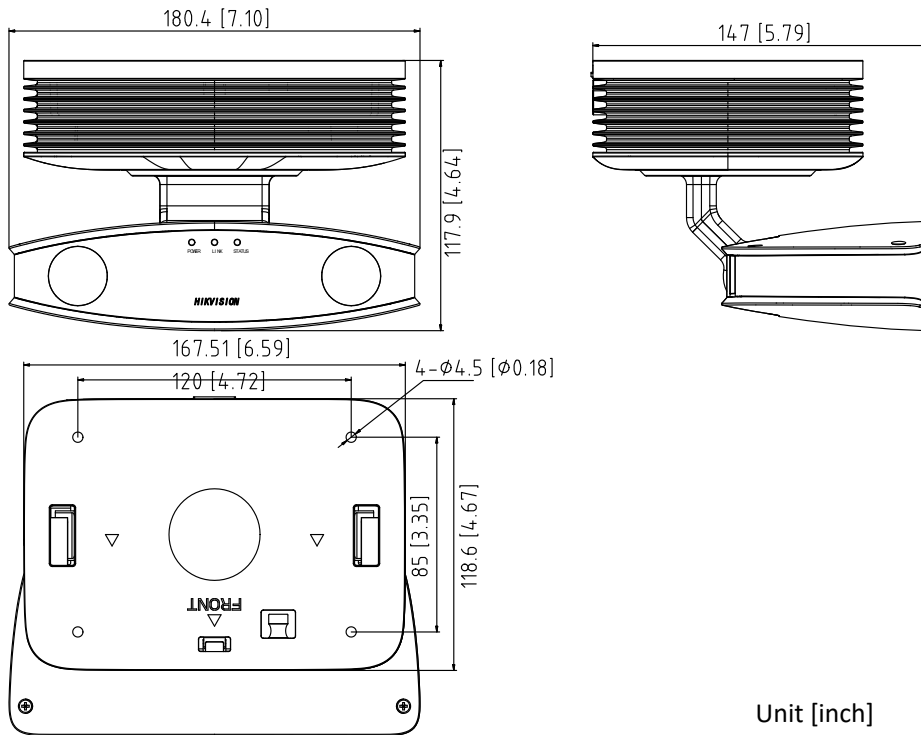
| Camera | |
|---------------------------------------|---|
| Image Sensor | 1/2.8" Progressive Scan CMOS ×2 |
| Min. Illumination | Color: 0.005 Lux @ (F1.2, AGC ON) Color: 0.0089 Lux @ (F1.6, AGC ON) 0 Lux with IR ON |
| Shutter Speed | 1/25 s to 1/100,000 s |
| Slow Shutter | No |
| Auto-iris | No |
| Day & Night | IR Cut Filter |
| Digital Noise Reduction | 3D DNR |
| WDR | 120 dB |
| 2-Axis Adjustment | Tilt: -45° to 90°, rotate: 0° to 355° |
| Lens | |
| Focal length | 4 mm × 2 |
| Aperture | F1.6 |
| FOV | 4mm: horizontal FOV 85.7° |
| IR(/White Light /Invisible IR) | |
| IR Range | Up to 10 m |
| Compression Standard | |
| Video Compression | Main stream: H.265/H.264 Sub stream: H.265/H.264/MPEG4/MJPEG Third stream: H.265/H.264 Fourth stream: H.265/H.264 Fifth stream: H.265/H.264 |
| H.264 Type | Baseline Profile/Main Profile/High Profile |
| H.264+ | Support |
| H.265 Type | Main Profile |
| H.265+ | Support |
| Video Bit Rate | 32 Kbps to 16 Mbps |
| Audio Compression | G.711/G.722.1/G.726/MP2L2/PCM |
| Audio Bit Rate | 64Kbps(G.711)/16Kbps(G.722.1)/16Kbps(G.726)/32-192Kbps(MP2L2) |
| Smart Feature-set | |
| Exception | Audio exception detection |
| Face Recognition | |
| Face Capture | Capture, automatically select and output optimum face picture. |
| Face Recognition | Instantly compare captured face pictures with those in face picture libraries. Recognized faces trigger alarm if alarm action is configured. |
| Image | |
| Max. Resolution | 1920 × 1080 |
| Main Stream | 50Hz: 25fps (1920 × 1080, 1280 × 720) 60Hz: 30fps (1920 × 1080, 1280 × 720) |
| Sub Stream | 50Hz: 25fps (704 × 576, 640 × 480, 352 × 288) 60Hz: 30fps (704 × 480, 640 × 480, 352 × 240) |
| Third Stream | 50Hz: 25fps (3840 × 1080, 1280 × 720, 704 × 576, 640 × 480, 352 × 288) 60Hz: 30fps (1920 × 1080, 1280 × 720, 704 × 480, 640 × 480, 352 × 240) |

| | |
|-------------------------------|---|
| Fourth Stream | 50Hz: 25fps (704 × 576, 640 × 480, 352 × 288) 60Hz: 30fps (704 × 480, 640 × 480, 352 × 240) |
| Fifth Stream | 50Hz: 25fps (704 × 576, 640 × 480, 352 × 288) 60Hz: 30fps (704 × 480, 640 × 480, 352 × 240) |
| Image Enhancement | BLC, HLC, defog, EIS, lens distortion correction, 3D DNR |
| Image Setting | Saturation, brightness, contrast, sharpness, AGC and white balance adjustable by client software or web browser |
| SVC | Support |
| Day/Night Switch | Auto/Schedule/Triggered by Alarm In |
| Picture Overlay | LOGO picture can be overlaid on video with 128 × 128 24bit bmp format |
| Network | |
| Network Storage | Support Micro SD/SDHC/SDXC card (128G) local storage, NAS (NFS,SMB/CIFS), ANR |
| Alarm Trigger | Motion detection, video tampering alarm, network disconnected, IP address conflict, illegal login, HDD full, HDD error |
| Protocols | TCP/IP, ICMP, HTTP, HTTPS, FTP, DHCP, DNS, DDNS, RTP, RTSP, RTCP, PPPoE, NTP, UPnP, SMTP, SNMP, IGMP, 802.1X, QoS, IPv6, UDP, Bonjour |
| General Function | Anti-flicker, five streams, heartbeat, mirror, password protection, privacy mask, watermark, IP address filter |
| API | ONVIF (PROFILE S, PROFILE G), ISAPI |
| Simultaneous Live View | Up to 20 channels |
| User/Host | Up to 32 users 3 levels: Administrator, Operator and User |
| Client | iVMS-4200 |
| Web Browser | IE7+, Chrome 18-42, Firefox 5.0+, Safari 5.02+ |
| Interface | |
| Audio | 1 audio input (line in), 1 audio output (line out), mono soundtrack |
| Communication Interface | 1 RJ45 10M/100M/1000M self-adaptive Ethernet port, 1 RS-485 interface |
| Alarm | 1 input, 1 output (up to 24 VDC 1 A or 110 VAC 500 mA) |
| On-board storage | Built-in micro SD/SDHC/SDXC slot, up to 128 GB |
| Audio | |
| Environment Noise Filtering | Support |
| Audio Sampling Rate | Max. 48 kHz |
| General | |
| Operating Conditions | -10 °C to 40 °C (-14 °F to 104 °F) Humidity 95% or less (non-condensing) |
| Power Supply | 36 VDC, two-core terminal block Power adapter included (220 VAC to 36 VDC) |
| Power Consumption and Current | 36 VDC, max. 27 W, 0.75A |
| Protection Level | TVS 4000V Lightning Protection, Surge Protection and Voltage Transient Protection |
| Shell Material | Metal |
| Dimensions | 180.4 × 147 × 117.9 mm (7.10" × 5.79" × 4.64") |
| Weight | Approx. 1500 g (3.31 lb) |

Available Models

iDS-2CD8426G0/F-I

Dimensions



Unit [inch]

Distributed by



HIKVISION

Headquarters

No.555 Qianmo Road, Binjiang District,
Hangzhou 310051, China
T +86-571-8807-5998
overseasbusiness@hikvision.com

Hikvision USA
T +1-909-895-0400
sales.usa@hikvision.com

Hikvision Italy
T +39-0438-6902
info.it@hikvision.com

Hikvision Singapore
T +65-6684-4718
sg@hikvision.com

Hikvision Africa
T +27 (10) 0351172
sale.africa@hikvision.com

Hikvision Europe
T +31-23-55-42-770
info.eu@hikvision.com

Hikvision France
T +33(0)1-85-330-450
info.fr@hikvision.com

Hikvision Oceania
T +61-2-8599-4233
salesau@hikvision.com

Hikvision Hong Kong
T +852-2151-1761

Hikvision Middle East
T +971-4-8816086
salesme@hikvision.com

Hikvision Spain
T +34-91-737-16-55
info.es@hikvision.com

Hikvision Canada
T +1-909-895-0400
sales.usa@hikvision.com

Hikvision Russia
T +7-495-669-67-99
saleru@hikvision.com

Hikvision Poland
T +48-22-460-01-50
poland@hikvision.com

Hikvision Korea
T +82-31-731-8841
sales.korea@hikvision.com

Hikvision India
T +91-22-28469900
sales@pramahikvision.com

Hikvision UK
T +01628-902140
support.uk@hikvision.com

Hikvision Brazil
T +55 11 3318-0050
Latam.support@hikvision.com