



## **LNX-C800G Series**

**8-Port Compact Industrial Unmanaged Gigabit Ethernet Switch,  
with 8\*10/100/1000Tx**



Version 2.0

## **User Manual**



## **© Copyright 2022 Antaira Technologies, LLC.**

All Rights Reserved

This document contains information, which is protected by copyright. Reproduction, adaptation or translation without prior permission is prohibited, except as allowed under the copyright laws.

## **Trademark Information**

Antaira is a registered trademark of Antaira Technologies, LLC, Microsoft Windows and the Windows logo are the trademarks of Microsoft Corp. NetWare is the registered trademark of Novell Inc. WMM and WPA are the registered trademarks of Wi-Fi Alliance. All other brand and product names are trademarks or registered trademarks of their respective owners.

**Notice:** Copyrights © 2022 by Antaira Technologies, LLC. All rights reserved. Reproduction, adaptation, or translation without prior permission of Antaira Technologies, LLC. is prohibited, except as allowed under the copyright laws.

## **Disclaimer**

Antaira Technologies, LLC. provides this manual without warranty of any kind, expressed or implied, including but not limited to the implied warranties of merchantability and fitness for a particular purpose. Antaira Technologies, LLC. may make improvements and/or changes to the product and/or specifications of the product described in this manual, without prior notice. Antaira Technologies, LLC. will not be liable for any technical inaccuracies or typographical errors found in this guide. Changes are periodically made to the information contained herein and will be incorporated into later versions of the manual. The information contained is subject to change without prior notice.

## FCC Notice

This equipment has been tested and found to comply with the limits for a Class-A digital device, pursuant to Part 15 of the FCC rules. These limits are designed to provide reasonable protection against harmful interference in a residential installation. This equipment generates, uses, and can radiate radio frequency energy. It may cause harmful interference to radio communications if the equipment is not installed and used in accordance with the instructions. However, there is no guarantee that interference will not occur in a particular installation. If this equipment does cause harmful interference to radio or television reception, which can be determined by turning the equipment off and on, the user is encouraged to try to correct the interference by one or more of the following measures:

- Reorient or relocate the receiving antenna.
- Increase the separation between the equipment and receiver.
- Connect the equipment into an outlet on a circuit different from that to which the receiver is connected.
- Consult the dealer or an experienced radio/TV technician for help.

**Caution:** Any changes or modifications not expressly approved by the grantee of this device could void the user's authority to operate the equipment.

## CE Mark Warning

This is a Class-A product. In a domestic environment this product may cause radio interference in which case the user may be required to take adequate measures.

## Industrial Ethernet Switches

Industrial Grade Unmanaged Gigabit Ethernet Switches

User Manual

Version 2.0 (February 2022)

This manual supports the following models:

- LNX-C800G
- LNX-C800G(-T)

This document is the current official release manual. Please check our website ([www.antaira.com](http://www.antaira.com)) for any updated manual or contact us by e-mail ([support@antaira.com](mailto:support@antaira.com)).

# Table of Contents

<b>1. Overview</b> .....	<b>1</b>
1.1 Key Features .....	1
1.2 Package Contents.....	2
1.3 Safety Precaution.....	2
<b>2. Hardware Description</b> .....	<b>3</b>
2.1 Physical Dimensions .....	3
2.2 Front Panel .....	4
2.3 Top View .....	4
2.4 LED Indicators .....	5
2.5 GigEthernet Ports .....	5
2.6 Cabling.....	6
2.7 Wiring the Power Inputs.....	7
<b>3. Mounting Installation</b> .....	<b>8</b>
3.1 DIN-Rail Mounting.....	8
3.2 Wall Mounting .....	9
<b>4. Hardware Installation</b> .....	<b>10</b>
4.1 Installation Steps.....	10
<b>5. Trouble Shooting</b> .....	<b>11</b>
<b>6. Technical Specifications</b> .....	<b>12</b>

# 1. Overview

**Antaira Technologies' LNX-C800G series** is a compact 8-port industrial Ethernet switch. The small form factor of this metal IP30 rated industrial switch is 30% smaller allowing for a more versatile implementation. The LNX-C800G is equipped with 8\*10/100/1000Tx RJ45 Ethernet ports; with a backplane speed of 16gbps. The industrial-grade design and compact size of the LNX-C800G series makes this ideal unit for integration into projects or other applications that need a small footprint.

The LNX-C800G series supports reverse polarity and overload current protection. This product series supports DIN-rail as well as wall mountable orientations and provides operating temperature range models in STD: -10°C to 65°C and EOT: -40°C to 75°C. This is an industrial grade unit applicable for networking applications in factory automation, ITS, power/utility, water wastewater treatment plants, or any application that needs a compact solution.

## 1.1 Key Features

- System Interface/Performance
  - All RJ-45 ports support the auto MDI/MDI-X function
  - Embedded 8\*10/100/1000Tx
  - Store-and-forward switching architecture
  - 4K MAC address table
- Power Input
  - DC 12~48V redundant power with a 6-pin removal terminal block
- Operating Temperature
  - Standard operating temperature model: -10°C ~ 65°C
  - Extended operating temperature model (-T): -40°C ~ 75°C
- Case/Installation
  - IP30 protection
  - DIN-Rail and wall mount design

## 1.2 Package Contents

- 1 - LNX-C800G(-T): 8-port industrial compact unmanaged Gigabit Ethernet switch with 8\*10/100/1000Tx
- 2 - Wall mounting brackets and screws
- 1 - DC cable –18 AWG & DC jack 5.5x2.1mm
- 1 - Quick Installation Guide
- 1 – RJ45 dust cover set

## 1.3 Safety Precaution

**Attention:** If the DC voltage is supplied by an external circuit, please use a protection device on the power supply input. The industrial Ethernet switch's hardware specs, ports, cabling information, and wiring installation will be described within this user manual.

## 2. Hardware Description

### 2.1 Physical Dimensions

Figure 2.1, below, shows the physical dimensions of Antaira Technologies' LNX-C800G series: 8-port compact industrial unmanaged Gigabit Ethernet switch with 8\*10/100/1000TxRJ45 ports.

(W x D x H) is 40mm x 70mm x 95mm

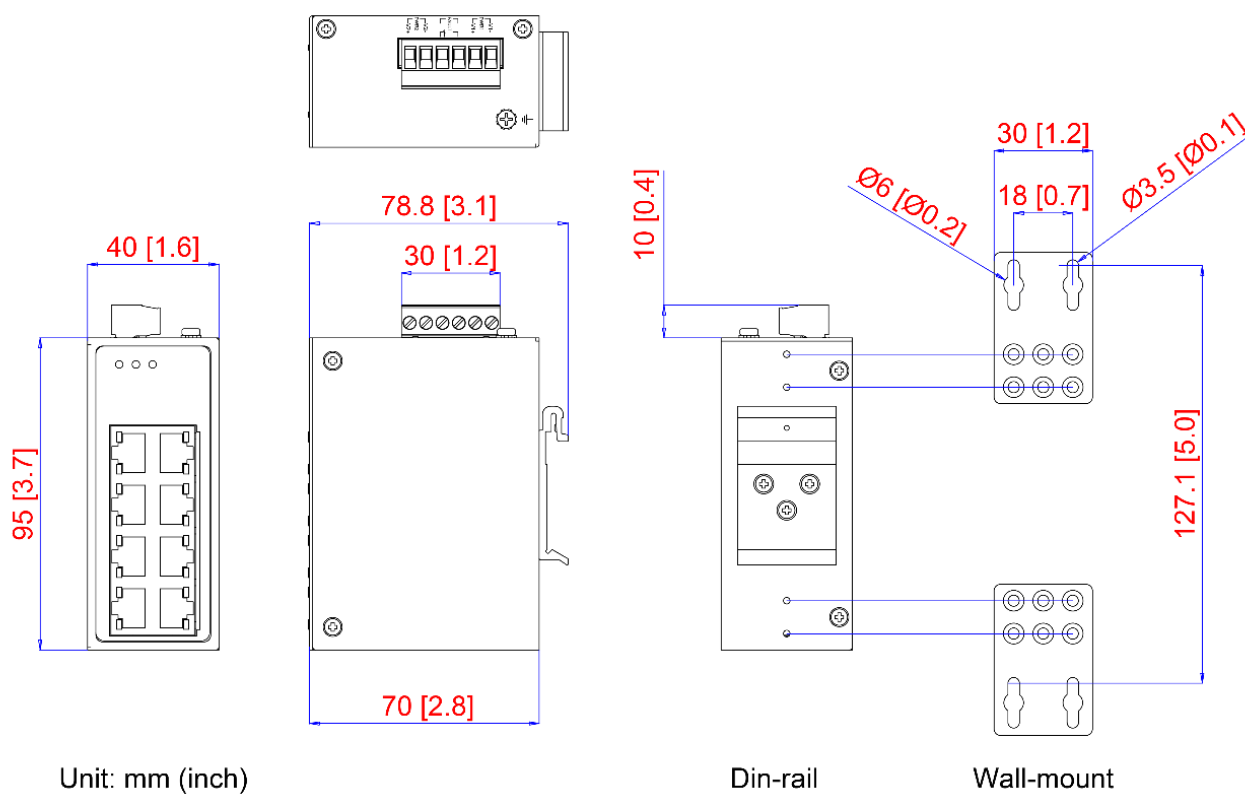
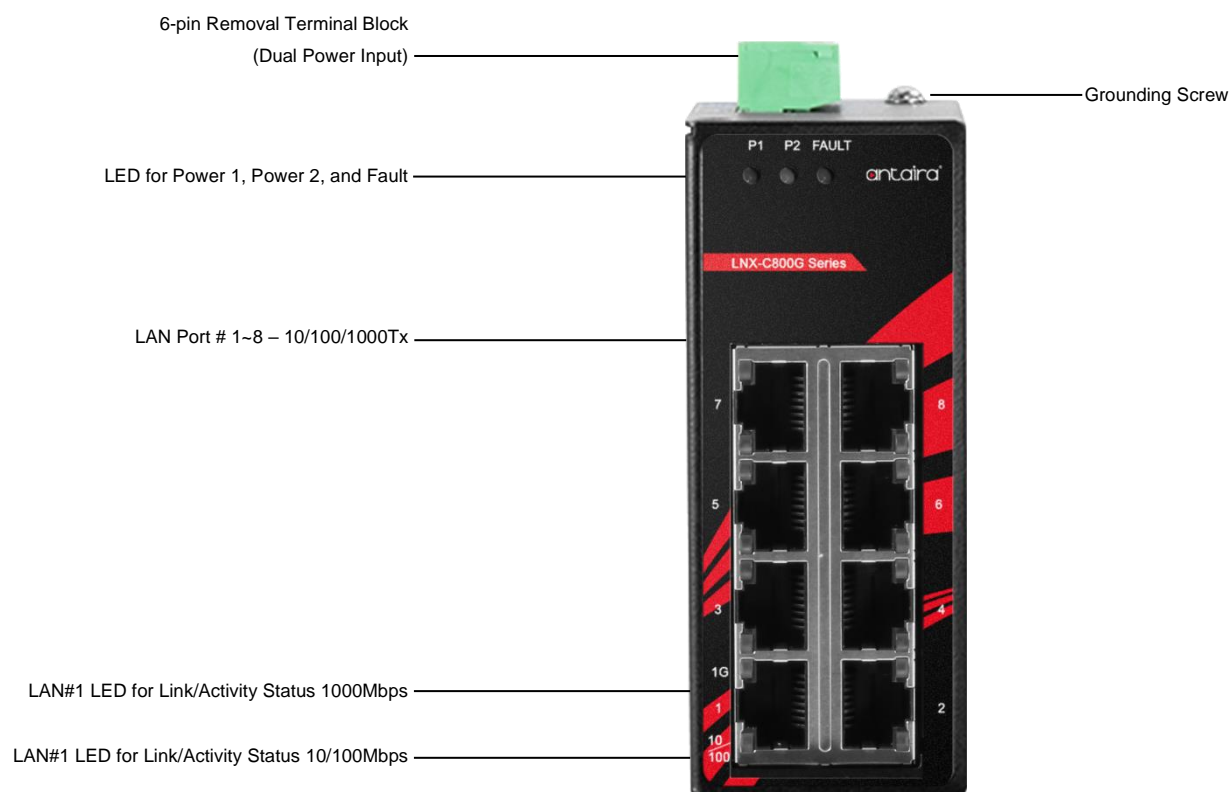


Figure 2.1  
LNX-C800G Series Physical Dimensions

## 2.2 Front Panel

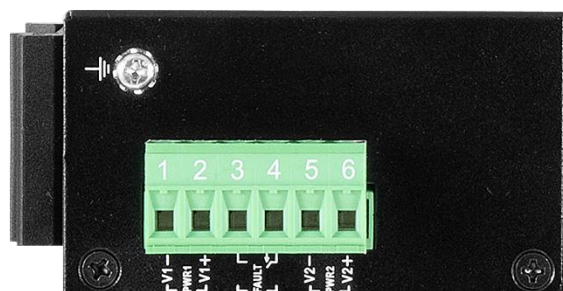
The front panel of the LNX-C800G series: 8-port industrial compact unmanaged Gigabit Ethernet switch with 8\*10/100/1000Tx. See *Figure 2.2*.



*Figure 2.2*  
Front Panel of the LNX-C800G Series

## 2.3 Top View

*Figure 2.3*, below, shows the top panel of the LNX-C800G series switch that is equipped with one 6-pin removal terminal block connector for dual DC power inputs (12-48 VDC).


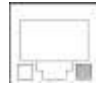


*Figure 2.3*  
Top Panel View of LNX-C800G Series



## 2.4 LED Indicators

There are LED light indicators located on the front panel of the industrial Gigabit Ethernet switch that display the power status and network status. Each LED indicator has a different color and has its own specific meaning, see below in *Table 2.4*.

LED	Color	Description	
Power	Green	On	Power input is active
		Off	Power input is inactive
LAN Port 1 ~ 8 (Left LED)		On	Connected to network, 100Mbps
		Flashing	Networking is active
		Off	Not connected to network
LAN Port 1 ~ 8 (Right LED)		On	Connected to network at 10Mbps
		Flashing	Networking is active
		Off	Not connected to network

*Table 2.4*  
LED Indicators for LNX-C800G Series

## 2.5 Ethernet Ports

### ■ RJ-45 Ports

**RJ-45 Ports (Auto MDI/MDIX):** The RJ-45 ports (LAN 1~8) are auto-sensing for 10/100/1000Base-T, or 1000Base-Tx devices connections. Auto MDI/MDIX means that the switch can connect to another switch or workstation without changing the straight-through or crossover cabling. See the figures shown below for straight-through and crossover cabling schematics.

### ■ RJ-45 Pin Assignments (Table 2.5)

Pin Number	Assignment
1	Rx+
2	Rx-
3	Tx+
6	Tx-

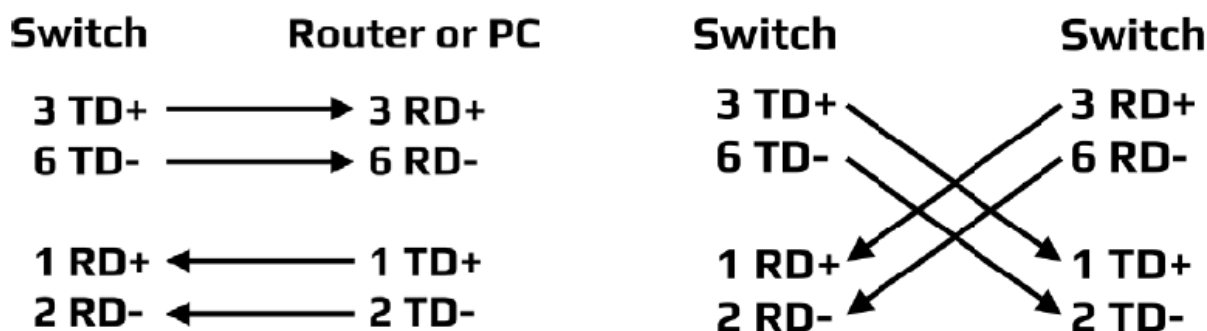
*Table 2.5*  
RJ45 Pin Assignments

**Note:** The “+” and “-” signs represent the polarity of the wires that make up each wire pair.

All ports on this industrial Ethernet switch support automatic MDI operations. Users can use straight-through cables (see figure below) for all network connections to PCs, servers, and other switches or hubs. With straight-through cable, pins 1, 2, 3, and 6, at one end of the cable, are connected straight through to pins 1, 2, 3 and 6 at the other end of the cable. The table below shows the 10BASE-T/100BASE-TX MDI port pin outs.

Pin MDI-X	Signal Name	MDI Signal Name
1	Receive Data plus (RD+)	Transmit Data plus (TD+)
2	Receive Data minus (RD-)	Transmit Data minus (TD-)
3	Transmit Data plus (TD+)	Receive Data plus (RD+)
6	Transmit Data minus (TD-)	Receive Data minus (RD-)

The following figures show the cabling schematics for straight-through and crossover cables.



## 2.6 Cabling

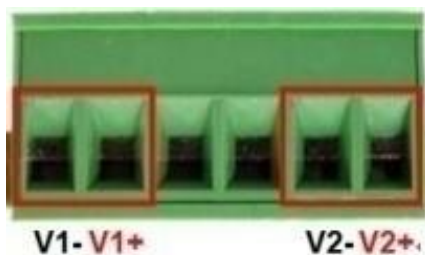
- Twisted-pair segments can be connected with an unshielded twisted pair (UTP) or shielded twisted pair (STP) cable. The cable must comply with the IEEE 802.3u 1000Base TX standard (e.g. Category 5, 5e, 6, or 6a). The cable between the equipment and the link partner (switch, hub, workstation, etc.) must be less than 100 meters (328 ft.) long.

Note: Cable size should be between 18~20 AWG and the torque should be tightened to 5lbs.

## 2.7 Wiring the Power Inputs

Please follow the below steps to insert the power wire.

1. Insert the positive and negative wires into the PWR1 (V1+, V1-) and PWR2 (V2+, V2-) contacts on the terminal block connector as shown below in *Figure 2.7.1*



*Figure 2.7.1*  
Power Terminal Block

2. Tighten the wire-clamp screws to prevent the wires from loosening, as shown below in *Figure 2.7.2*

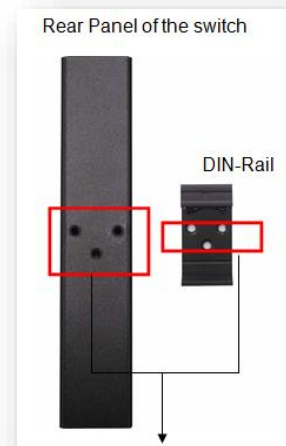


*Figure 2.7.2*  
Power Terminal Block

## 3. Mounting Installation

### 3.1 DIN-Rail Mounting

The DIN-Rail is pre-installed on the industrial Ethernet switch from the factory. If the DIN-Rail is not on the industrial Ethernet switch, please refer to *Figure 3.1* to learn how to install the DIN-Rail on the switch.



*Figure 3.1.1*

*The Rear Side of the Switch and DIN-Rail Bracket*

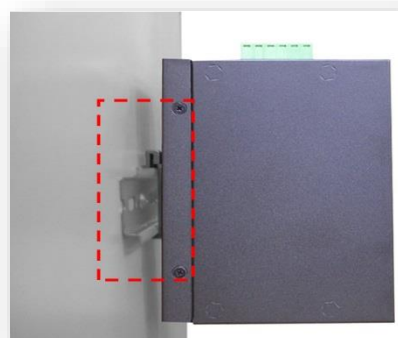
Follow the steps below to learn how to hang the industrial Ethernet switch.

1. Use the screws to install the DIN-Rail bracket on the rear side of the industrial Ethernet switch.
2. To remove the DIN-Rail bracket, do the opposite from step 1.
3. After the DIN-Rail bracket is installed on the rear side of the switch, insert the top of the DIN-Rail on to the track as shown below in *Figure 3.1.2*
4. Lightly pull down the bracket on to the rail as shown below in *Figure 3.1.3*
5. Check if the bracket is mounted tightly on the rail.
6. To remove the industrial Ethernet switch from the rail, do the opposite from the above steps.



*Figure 3.1.2*

*Insert the Switch on the DIN-Rail*



*Figure 3.1.3*

*Stable the Switch on DIN-Rail*

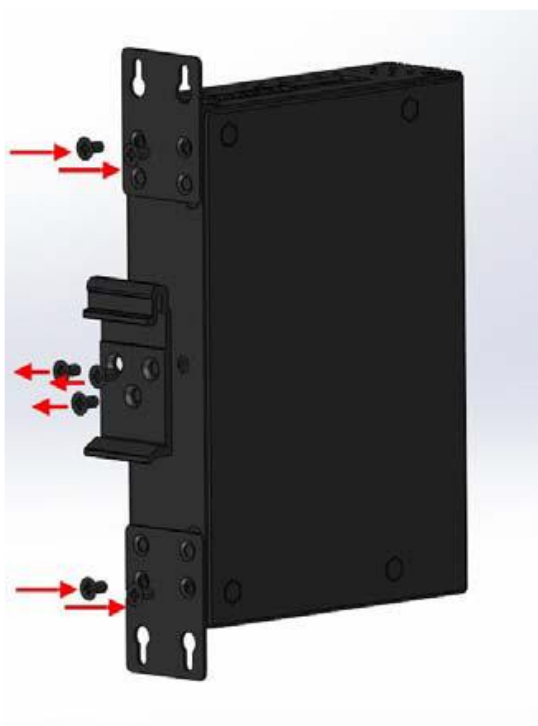
7. Check if the bracket is mounted tightly on the rail.

8. To remove the industrial Ethernet switch from the rail, do the opposite from the above steps.

## 3.2 Wall Mounting

Follow the steps below to mount the industrial Ethernet switch using the wall mounting bracket as shown below in *Figure 3.2*.

1. Remove the DIN-Rail bracket from the industrial Ethernet switch by loosening the screws.
2. Place the wall mounting brackets on the top and bottom of the industrial Ethernet switch.
3. Use the screws to screw the wall mounting bracket on the industrial Ethernet switch.
4. Use the hook holes at the corners of the wall mounting bracket to hang the industrial Ethernet switch on the wall.
5. To remove the wall mount bracket, do the opposite from the steps above.



*Figure 3.2*

*Remove DIN-Rail Bracket from the Switch*

## 4. Hardware Installation

### 4.1 Installation Steps

This section will explain how to install Antaira Technologies' LNX-C800G(-T): 8-port compact industrial compact unmanaged Gigabit Ethernet switch with 8\*10/100/1000Txports.

#### Installation Steps

1. Unpack the industrial Ethernet switch from the original packing box.
2. Check if the DIN-Rail bracket is screwed on the industrial Ethernet switch.
  - If the DIN-Rail is not screwed on the industrial Ethernet switch, please refer to the **DIN-Rail Mounting** section for DIN-Rail installation.
  - If it is required to wall mount the industrial Ethernet switch, please refer to the **Wall Mounting** section for wall mounting installation.
3. To hang the industrial Ethernet switch on a DIN-Rail or wall, please refer to the **Mounting Installation** section.
4. Power on the industrial Ethernet switch and then the power LED light will turn on.
  - For the help on how to wire power, please refer to the **Wiring the Power Inputs** section.
  - Please refer to the **LED Indicators** section for LED light indication.
5. Prepare the twisted-pair, straight-through category 5 or 6 cable for Gig-Ethernet connection.
6. Insert one side of the RJ-45 cable into the switch's Ethernet port and on the other side into the networking device's Ethernet port, e.g. switch PC or server.
  - The Ethernet port's (RJ-45) LED on the industrial Ethernet switch will turn on when the cable is connected to the networking device.
  - Please refer to the **LED Indicators** section for LED light indication.
7. When all connections are set and the LED lights all show normal, the installation is complete.

## 5. Trouble Shooting

- Always verify the right power cord or adapter is being used. Never use a power supply or adapter with a non-compliant DC output voltage or it will burn the equipment.
- Select the proper UTP or STP cable in order to construct the network. Use an unshielded twisted-pair (UTP) or shield twisted-pair (STP) cable for RJ-45 connections: Also, be sure that the length of any twisted-pair connection does not exceed 100 meters (328 feet).
- **Diagnosing LED Indicators:** To assist in identifying problems, the switch can be easily monitored with the LED indicators which help to identify if any problems exist.
  - Please refer to the LED Indicators section for LED light indication.
- If the power indicator LED does not turn on when the power cord is plugged in, the user may have a problem with the power cord. Check for loose power connections, power losses or surges at the power outlet.
  - Please contact Antaira for technical support service, if the problem still cannot be resolved.
- If the industrial switch LED indicators are normal and the connected cables are correct but the packets still cannot transmit, please check the system's Ethernet devices' configuration or status.

## 6. Technical Specifications

Table 6.1 has the technical specifications for Antaira Technologies' LNX-C800G series: 8-port industrial unmanaged Gigabit Ethernet switch with 8\*10/100/1000Tx ports.

<b>Standards</b>	IEEE 802.3	10Base-T 10Mbit/s Ethernet
	IEEE 802.3u	100Base-Tx, 100Base-Fx, Fast Ethernet
	IEEE 802.3ab	1000BaseTx 1000Base-Gx, Gigabit Ethernet
<b>Switch Property</b>	Protocol	CSMA/CD
	Data Process	Store and Forward
	Transfer Rate	14,880 pps for 10Base-T Ethernet port 148,800 pps for 100Base-TX Fast Ethernet port 1,488,000 pps for Gigabit Ethernet Port
	Transmission Distance	Up to 100M (Fast Ethernet)
	Transmission Speed	Up to 1000Mbps (Gigabyte Ethernet)
	MAC Address Table	4K table size
	Switching Fabric (Back-Plane)	16Gbps
	Memory Buffer	512 bits
	Jumbo Frame	9,216 bytes
<b>Port Interface</b>	Ethernet (RJ45) Port	8*10/100/1000Tx auto negotiation speed, full/half duplex mode, and auto MDI/MDI-X connection
	LED Indicator	<b>Per unit:</b> Power1(Green), Power2(Green), Fault(Red) <b>Per port:</b> Link/Activity (Green)
	Network Cable	10BaseT: 2-pair UTP/STP Cat.3,4,5 cable EIA/TIA-568 100-ohm (100m) 100BaseTX: 2-pair UTP/STP Cat.5 cable EIA/TIA-568 100-ohm (100m) 1000Base Tx: 2-Pair UTP/STP Cat 6 cable EIA/TIA-568 100-ohm (100m)
<b>Mechanical Characteristics</b>	Housing	Metal IP30 protection
	Dimension	40 x 70 x 95 mm (w x d x h)
	Weight	Unit Weight: 0.72 lb. Shipping Weight: 1.03 lbs.
	Mounting	DIN-Rail Mounting, wall-mounting (optional)
<b>Power Requirement</b>	Input Voltage	12~48VDC Redundant Input
	Current Protection	Present – Slow Blow Fuse
	Power Connection	1 removable 6-contact terminal block
	System Power Consumption	4 Watts
<b>Environmental Limits</b>	Operating Temperature	Standard: -10 to 65°C (14 to 149°F) EOT: -40 to 75°C (-40 to 167°F)
	Operating Humidity	5% to 95% (Non-Condensing)
	Storage Temperature	-40 to 85°C (-40 ~ 185°F)
<b>Regulatory</b>	EMI	FCC Part 15 Subpart B Class A, CE EN55032/EN61000-6-4 Class A



<b>Approvals</b>	EMS	CE EN55035/EN61000-6-2, IEC61000-4-2,3,4,5,6,8
	Stability Testing	IEC60068-2-32 (Free Fall) IEC60068-2-27 (Shock) IEC60068-2-6 (Vibration)
	Certifications	FCC, CE, UL 61010-1, 61010-2-201
	Warranty	5 Years

*Table 6.1 LNX-C800G Series Technical Specifications*

**Antaira Customer Service and Support**

(Antaira US Headquarter) + 844-268-2472

(Antaira Europe Office) + 48-22-862-88-81

(Antaira Asia Office) + 886-2-2218-9733

**Please report any problems to Antaira:**

[www.antaira.com](http://www.antaira.com) / [support@antaira.com](mailto:support@antaira.com)

[www.antaira.eu](http://www.antaira.eu) / [info@antaira.eu](mailto:info@antaira.eu)

[www.antaira.com.tw](http://www.antaira.com.tw) / [info@antaira.com.tw](mailto:info@antaira.com.tw)

**Any changes to this material will be announced on the Antaira website.**