



Network

Multi-sensor

PNM-C12083RVD

6MP x 2CH AI Multi-directional Camera



Key Features

- Analytics events based on AI engine: Classified object(Person/Face/Vehicle/License plate)
Attributes(vehicle type: Car/Bus/Truck/Motorcycle/Bicycle)
Support BestShot
- WiseNR II, Auto prefer shutter control, WiseStreamIII, extremeWDR (120dB)
- Maximum 3328x1872 resolution
- Maximum 15fps@6M
- Color: 0.16lux(F1.67, 1/30sec, 30IRE), 0 Lux (IR LED on)
- 3.54~6.69mm motorized varifocal, 78° tilt angle
- IR viewable length: IR 25m(82ft) based on scene
- TPM 2.0(FIPS 140-2 certified)
- IP66, IK10, NEMA4X

PNM-C12083RVD

6MP x 2CH AI Multi-directional Camera



Specifications

Video

Imaging Device	1/2.8" CMOS x 2CH
Resolution	3328x1872, 3072x1728, 2592x1944, 2688x1520, 1920x1080, 1600x1200, 1280x1024, 1280x960, 1280x720, 1024x768, 800x600, 800x448, 720x576, 720x480, 640x480, 640x360, 320x240
Max. Framerate	H.265/H.264: 6MP Max.15fps MJPEG: Max.15fps
Min. Illumination	Color: 0.16lux(F1.67, 1/30sec, 30IRE) BW: 0.016lux(F1.67, 1/30sec, 30IRE), 0lux(IR LED on)
Video Out	USB: micro USB Type B, 1280x720 for installation

Lens

Focal Length (Zoom Ratio)	3.54~6.69mm(1.9x) motorized varifocal
Max. Aperture Ratio	F1.67(Wide)~F2.64(Tele)
Angular Field of View	H: 96(Wide)~47(Tele) V: 51(Wide)~26(Tele) D: 113(Wide)~54(Tele)
Min. Object Distance	1.5m(4.92ft)
Focus Control	Simple focus
Lens Type	Fixed IRIS

Pan / Tilt / Rotate

Pan / Tilt / Rotate Range	0~355° / 0~78° / 0~180°
---------------------------	-------------------------

Operational

Camera Title	Displayed up to 85 characters
Day & Night	Auto(ICR)
Backlight Compensation	BLC, WDR, SSSR
Wide Dynamic Range	extremeWDR(120dB)
Digital Noise Reduction	WiseNR II (Based on AI engine), SSNR V
Motion Detection	8ea, 8point Polygonal zones
Privacy Masking	6ea, Quadrangle zones - Color : Gray/Black/White
Gain Control	Support
White Balance	ATW / AWC / Manual / Indoor / Outdoor
LDC	Support
Electronic Shutter Speed	Minimum / Maximum / Anti flicker (1/5~1/12,000sec) Auto prefer shutter control(Based on AI engine)
Video Rotation	Flip, Mirror, Hallway view (90°/270°) - Each channel separately
Analytics	Classified object type : Person/Face/Vehicle/License plate Attributes : Vehicle(Type:car/bus/truck/motorcycle/bicycle) Support Bestshot Analytics events based on AI engine - Object detection, Virtual line(Crossing/Direction), Virtual area(Loitering/Intrusion/Enter/Exit) Analytics events* - Defocus detection, Motion detection, Tampering, Virtual area(Appear/Disappear) * Support Audio detection, Sound classification via optional SPM-4210 I/O box
Alarm I/O	* Support Alarm via optional SPM-4210 I/O box
Alarm Triggers	Analytics, Network disconnect, Alarm input via optional SPM-4210 I/O box

Alarm Events	When alarm trigger occurred - File upload(image) : e-mail/FTP - Notification : e-mail - Recording : SD/SDHC/SDXC or NAS recording at event triggers - Handover(PTZ preset, Send message by HTTP/HTTPS/TCP) - Alarm output via optional SPM-4210 I/O box
Audio In	* Audio in via optional SPM-4210 I/O box
Audio Out	* Audio out via optional SPM-4210 I/O box
IR Viewable Length	25m(82ft)

Network

Ethernet	Metal shielded RJ-45 (10/100/1000BASE-T)
Video Compression	H.265/H.264: Main/Baseline/High, MJPEG
Smart Codec	Manual(5ea area), WiseStream II, WiseStream III(Based on AI engine)
Bitrate Control	H.264/H.265: CBR or VBR MJPEG: VBR
Streaming	Unicast(10 users) / Multicast 5 profiles per channel
Protocol	IPv4, IPv6, TCP/IP, UDP/IP, RTP(UDP), RTP(TCP), RTCP, RTSP, NTP, HTTP, HTTPS, SSL/TLS, DHCP, FTP, SMTP, ICMP, IGMP, SNMPv1/v2c/v3(MIB-2), ARP, DNS, DDNS, QoS, UPnP, Bonjour, LLDP, SRTP (TCP, UDP Unicast)
Security	TPM 2.0 (FIPS 140-2 level 2) HTTPS(SSL) Login Authentication Digest Login Authentication IP Address Filtering User access log 802.1X Authentication(EAP-TLS, EAP-LEAP, EAP-PEAP MSCHAPv2) Device Certificate(Hanwha Techwin Root CA, pre-installed) Secure by default certificate Secure OS/Boot/Storage, Verify firmware forgery
Application Programming Interface	ONVIF Profile S/T SUNAPI(HTTP API) Open platform

General

Webpage Language	English, Korean, Chinese, French, Italian, Spanish, German, Japanese, Russian, Swedish, Portuguese, Czech, Polish, Turkish, Dutch, Greek, Hungarian
Edge Storage	Micro SD/SDHC/SDXC 1slot Max. 512GB
Memory	4GB RAM, 512MB Flash

Environmental & Electrical

Operating Temperature / Humidity	-40°C~+55°C(-40°F ~ +131°F) / Less than 95% RH(Non-condensing)
Storage Temperature / Humidity	-50°C~+60°C(-58°F~+140°F) / Less than 95% RH(Non-condensing)
Certification	IP66/IP67, NEMA4X, IK10
Input Voltage	PoE+(IEEE802.3at, Class4)
Power Consumption	PoE+: Max 21W, typical 16.5W

Mechanical

Color / Material	White / Aluminum Hard-coated dome bubble
RAL Code	RAL9003
Product Dimensions / Weight	215(W)x135(D)x93.2(H)mm(8.46"x5.31"x3.67") / 1330g
Compatible Conduit hole / Gangbox	3/4" (M25) single, double, 4" octagon, 4" square
Hanging Mount (Dome)	SBP-215HMW

Certifications & Standards

EMC	FCC 47 CFR 15 Subpart B Class A ICES-3(A)/NMB-3(A) CE/UKCA - EN 55032 Class A, EN 50130-4 VCCI CISPR 32 Class A RCM AS/NZS CISPR 32 Class A KS C 9832 Class A, KS C 9835
------------	--

Safety UL 62368-1, CAN/CSA C22.2 NO. 62368-1
IEC/EN 62471

Environment IEC/EN 63000
IEC/EN 60529 IP66/67, IEC/EN 62262 IK10
NEMA 250 type 4X

DORI (EN62676-4 standard)

Detect (25PPM/ 8PPF) Wide: 59.9m(196.62ft) / Tele: 153.1m(502.22ft)

Observe (63PPM/ 19PPF) Wide: 24.0m(78.65ft) / Tele: 61.2m(200.89ft)

Recognize (125PPM/ 38PPF) Wide: 12.0m(39.32ft) / Tele: 30.6m(100.44ft)

Identify (250PPM/ 76PPF) Wide: 6.0m(19.66ft) / Tele: 15.3m(50.22ft)

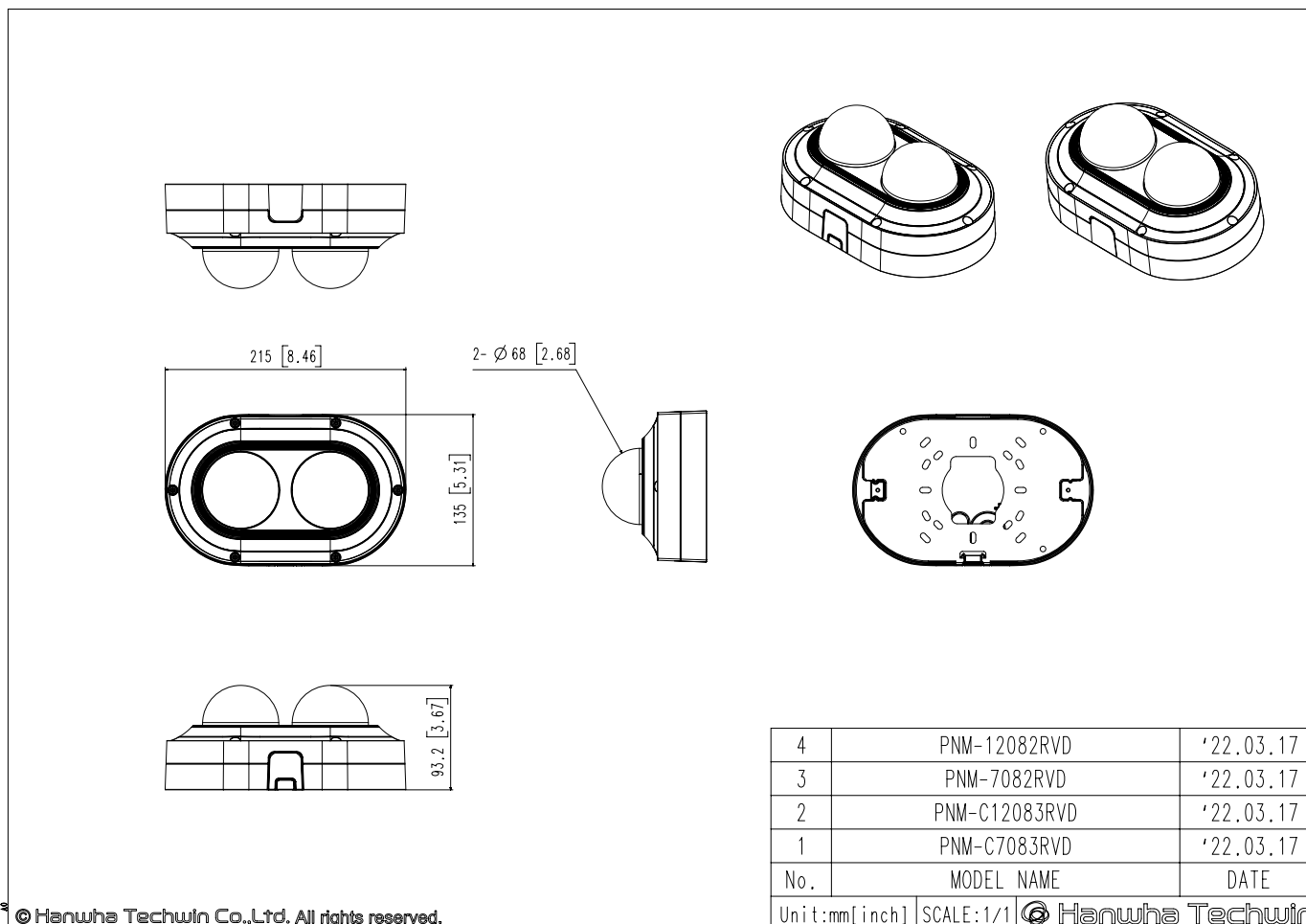
PNM-C12083RVD

6MP x 2CH AI Multi-directional Camera



CAD

Unit: mm [inch]



© Hanwha Techwin Co., Ltd. All rights reserved.