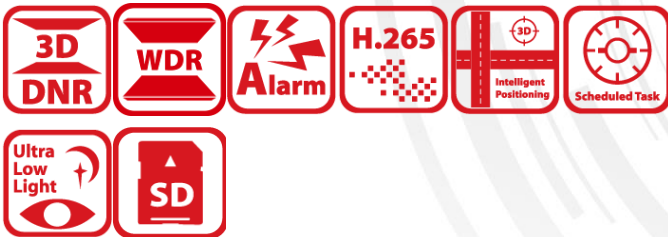


## DS-2DP2427ZIXS-DE/440(F0)(P4) 270° Stitched 24 MP PanoVu Camera with PTZ

# PanoVu



Hikvision DS-2DP2427ZIXS-DE/440(F0)(P4) 270° Stitched 24 MP PanoVu Camera with PTZ is able to capture panoramic images as well as close-up images. The panoramic images are captured by 6 sensors for 270° panorama monitoring. The integration of two cameras can locate the details fast over expansive area. Furthermore, with advanced video analysis and multiple targets tracking algorithms, the PanoVu camera features a wide range of smart functions for multiple targets within the panoramic view, including intrusion detection, line crossing detection, region entrance detection, and region exiting detection. The camera can output alarm signals and link the PTZ for tracking to improve the security efficiency. This product is suitable for the application scenarios that require expansive monitoring and detail capture, such as airports, stations, stadiums, playgrounds, scenic areas, and public squares.

- High quality imaging with 24 MP resolution, up to 8160 × 2400 @30 fps for panoramic channels
- Excellent low-light performance with DarkFighter technology
- 40x optical zoom and 16x digital zoom provide close up views over expansive areas
- Expansive night view with up to 250 m IR distance
- With one click on the panoramic channel, the PTZ channel shows the details automatically
- Continuous and stable manual tracking, auto-tracking, and panorama tracking
- Automatic switch between multiple targets
- Supports 7 alarm inputs, 2 alarm outputs, 1 audio input, and 1 audio output



## DORI

The DORI (detect, observe, recognize, identify) distance gives the general idea of the camera ability to distinguish persons or objects within its field of view. It is calculated based on the camera sensor specification and the criteria given by EN 62676-4: 2015.

DORI	Detect	Observe	Recognize	Identify
Definition	25 px/m	63 px/m	125 px/m	250 px/m
[Panoramic channel] Distance	38.6 m (126.6 ft.)	15.3 m (50.2 ft.)	7.7 m (25.3 ft.)	3.9 m (12.8 ft.)
[PTZ channel] Distance (Tele)	4137.9 m (13575.8 ft.)	1642.0 m (5387.1 ft.)	827.6 m (2715.2 ft.)	413.8 m (1357.6 ft.)

## ▪ Specification

Camera	
Image Sensor	[Panoramic channel]: 1/1.8" progressive scan CMOS, [PTZ channel]: 1/1.8" progressive scan CMOS
Min. Illumination	[Panoramic channel] Color: 0.0005 Lux (F1.0, AGC ON), B/W: 0.0001 Lux (F1.0, AGC ON); [PTZ channel] 0.0005 Lux (F1.2, AGC ON), B/W: 0.0001 Lux (F1.2, AGC ON), 0 Lux with IR
Shutter Speed	1 s to 1/30000 s
Slow Shutter	Yes
Day & Night	IR cut filter
Zoom	[PTZ channel] 40x optical, 16x digital
Max. Resolution	8160 × 2400
Lens	
Focus	Auto, semi-auto, manual, rapid focus
Focal Length	[Panoramic channel] 2.8 mm; [PTZ channel] 6.0 to 240 mm
Zoom Speed	[PTZ channel] Approx. 5.6 s
FOV	Horizontal FOV 56.6° to 1.8°, vertical FOV 33.7° to 1.0°, diagonal FOV 63.4° to 2.0°
Aperture	Max. F1.0
Illuminator	
Supplement Light Type	IR
Supplement Light Range	Up to 250 m
Smart Supplement Light	Yes
PTZ	
Movement Range (Pan)	360°
Movement Range (Tilt)	-15° to 90° (auto flip)
Pan Speed	Pan speed: configurable from 0.1° to 210°/s; preset speed: 240°/s
Tilt Speed	Tilt speed: configurable from 0.1° to 150°/s, preset speed 200°/s
Proportional Pan	[Panoramic channel]: no; [PTZ channel]: yes
Presets	300
Patrol Scan	8 patrols, up to 32 presets for each patrol
Pattern Scan	4 pattern scans, record time over 10 minutes for each scan

Power-off Memory	Yes
Park Action	Preset, pattern scan, patrol scan, auto scan, tilt scan, random scan, frame scan, panorama scan
3D Positioning	Yes
PTZ Status Display	Yes
Preset Freezing	Yes
Scheduled Task	Preset, pattern scan, patrol scan, auto scan, tilt scan, random scan, frame scan, panorama scan, dome reboot, dome adjust, aux output
<b>Video</b>	
Main Stream	[Panoramic channel]: 50 Hz: 25 fps (8160 × 2400, 6120 × 1800, 5760 × 1696, 3840 × 1080), 60 Hz: 30 fps (8160 × 2400, 6120 × 1800, 5760 × 1696, 3840 × 1080); [PTZ channel]: 50 Hz: 25 fps (2560 × 1440, 1920 × 1080, 1280 × 960, 1280 × 720) 60 Hz: 30 fps (2560 × 1440, 1920 × 1080, 1280 × 960, 1280 × 720)
Sub-Stream	[Panoramic channel]: 50 Hz: 25 fps (2048 × 600, 1280 × 376) 60 Hz: 30 fps (2048 × 600, 1280 × 376); [PTZ channel]: 50 Hz: 25 fps (704 × 576, 640 × 480, 352 × 288) 60 Hz: 30 fps (704 × 480, 640 × 480, 352 × 240)
Third Stream	[Panoramic channel]: no [PTZ channel]: 50 Hz: 25 fps (1920 × 1080, 1280 × 960, 1280 × 720, 704 × 576, 640 × 480, 352 × 288) 60 Hz: 30 fps (1920 × 1080, 1280 × 960, 1280 × 720, 704 × 480, 640 × 480, 352 × 240)
Video Compression	Main stream: H.265+/H.265/H.264+/H.264 Sub-stream: H.265/H.264/MJPEG Third stream: H.265/H.264/MJPEG
<b>Audio</b>	
Audio Compression	G.711alaw, G.711ulaw, G.722.1, G.726, MP2L2, AAC, PCM
Audio Sampling Rate	PCM: 8 kHz, 16 kHz, 32 kHz, 48 kHz; MP2L2: 16 kHz, 32 kHz, 48 kHz; AAC: 16 kHz, 32 kHz, 48 kHz
<b>Network</b>	
Network Storage	NAS (NFS, SMB/CIFS), ANR
Protocols	IPv4/IPv6, HTTP, HTTPS, 802.1x, QoS, FTP, SMTP, UPnP, SNMP, DNS, DDNS, NTP, RTSP, RTCP, RTP, TCP/IP, UDP, IGMP, ICMP, DHCP, PPPoE, Bonjour
API	Open Network Video Interface (Profile S, Profile G, Profile T), ISAPI, SDK, ISUP
Simultaneous Live View	Up to 20 channels
User/Host	Up to 32 users. 3 user levels: administrator, operator, and user
Security	Authenticated username and password, MAC address binding, HTTPS encryption, 802.1X authenticated access, IP address filter
Client	iVMS-4200, HikCentral Pro, Hik-Connect
Web Browser	IE10-11, Chrome 57+, Firefox 52+, Safari 12+
<b>Image</b>	
Day/Night Switch	Day, night, auto, scheduled-switch
Image Enhancement	BLC, HLC, 3D DNR

Wide Dynamic Range (WDR)	[Panoramic channel] no, [PTZ channel] 120 dB
Defog	[Panoramic channel] no; [PTZ channel] optical defog
Image Stabilization	EIS
Regional Exposure	Yes
Regional Focus	Yes
Image Settings	Saturation, brightness, contrast, sharpness, gain, and white balance adjustable by client software or web browser
Image Parameters Switch	Yes
Privacy Mask	Programmable polygon privacy masks (8 for panoramic channel, 24 for PTZ channel), mask color or mosaic configurable
SNR	≥ 55 dB
<b>Interface</b>	
Ethernet Interface	1 RJ45 10M/100M/1000M self-adaptive Ethernet port
Fiber Optical	1 FC interface, built-in fiber module, 1000M, TX1310/RX1550 nm wavelength, single module fiber, up to 20 km transmission distance
On-board Storage	Built-in memory card slot, support microSD/microSDHC/microSDXC cards, up to 256 GB
Alarm	7 alarm inputs, 2 alarm outputs
Audio	1 input (line in), max. input amplitude: 2-2.4 vpp, input impedance: 1 KΩ ± 10%; 1 output (line out), line level, output impedance: 600 Ω
RS-485	1 RS-485 (Half duplex, HIKVISION, Pelco-P, Pelco-D, self-adaptive)
Reset	Yes
<b>Event</b>	
Smart Event	Line crossing detection, region entrance detection, region exiting detection, unattended baggage detection, object removal detection, intrusion detection
Smart Tracking	Manual tracking, auto-tracking, panorama tracking. Support patrol tracking among multiple detection scenes
Alarm Linkage	Upload to FTP/NAS/memory card, notify surveillance center, send email, trigger alarm output, trigger recording, and PTZ actions (such as preset, patrol scan, pattern scan)
<b>Deep Learning Function</b>	
Face Capture	Detects up to 30 faces simultaneously, Supports detecting, tracking, capturing, grading, selecting of face in motion, and outputs the best face picture
People Density	Supports detecting the level of people density in the configured area
Congestion Alarm	Yes
<b>General</b>	
Power	36 VDC, max. 135 W (including max. 12 W for IR); Hi-PoE, max. 75 W
Operating Condition	-40°C to 70°C (-40°F to 158 °F). Humidity 90% or less (non-condensing)
Wiper	No
Demist	Yes
Material	ADC12
Dimension	∅ 433.5 mm x 430.4 mm (∅ 17.07" x 16.94")
Weight	Approx. 18 kg (39.68 lb.)

Approval	
Safety	UL (UL 62368-1); CB (IEC 62368-1:2014+A11); CE-LVD (EN 62368-1:2014+A11:2017), BIS (IS 13252(Part 1):2010/IEC 60950-1: 2005); LOA (IEC/EN 60950-1)
Environment	CE-RoHS (2011/65/EU); WEEE (2012/19/EU); Reach (Regulation (EC) No 1907/2006)
Protection	IP67 Standard, Lightning Protection, Surge Protection and Voltage Transient Protection, $\pm 6\text{kV}$ Line to Gnd, $\pm 3\text{kV}$ Line to Line, IEC61000-4-5, IK10

### ▪ Available Model

DS-2DP2427ZIXS-DE/440(F0)(P4)

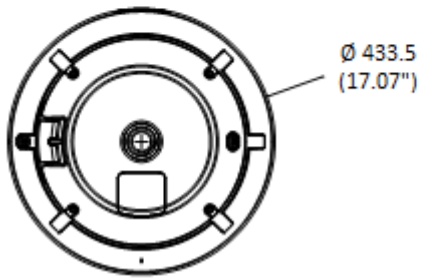
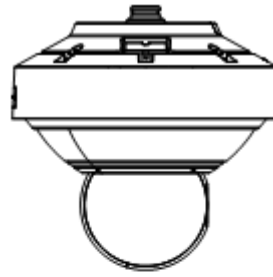
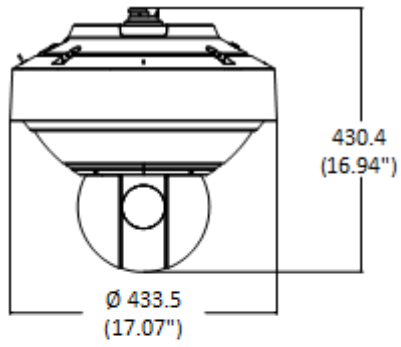
### ▪ Typical Application

Hikvision products are classified into three levels according to their anti-corrosion performance. Refer to the following description to choose for your using environment.

This model has NO SPECIFIC PROTECTION.

Level	Description
Top-level protection	Hikvision products at this level are equipped for use in areas where professional anti-corrosion protection is a must. Typical application scenarios include coastlines, docks, chemical plants, and more.
Moderate protection	Hikvision products at this level are equipped for use in areas with moderate anti-corrosion demands. Typical application scenarios include coastal areas about 2 kilometers (1.24 miles) away from coastlines, as well as areas affected by acid rain.
No specific protection	Hikvision products at this level are equipped for use in areas where no specific anti-corrosion protection is needed.

▪ **Dimension**



Unit: mm (inch)

▪ **Accessory**

▪ **Optional**

DS-1668ZJ-P	DS-1668ZJ(20)	DS-1603ZJ-Pole-P	DS-1603ZJ-P
			

Distributed by

**HIKVISION®****Headquarters**

No.555 Qianmo Road, Binjiang District,  
Hangzhou 310051, China  
T +86-571-8807-5998  
overseasbusiness@hikvision.com

**Hikvision USA**  
T +1-909-895-0400  
sales.usa@hikvision.com

**Hikvision Australia**  
T +61-2-8599-4233  
salesau@hikvision.com

**Hikvision India**  
T +91-22-28469900  
sales@pramahikvision.com

**Hikvision Canada**  
T +1-866-200-6690  
sales.canada@hikvision.com

**Hikvision Thailand**  
T +662-275-9949  
sales.thailand@hikvision.com

**Hikvision Europe**  
T +31-23-5542770  
sales.eu@hikvision.com

**Hikvision Italy**  
T +39-0438-6902  
info.it@hikvision.com

**Hikvision Brazil**  
T +55 11 3318-0050  
Latam.support@hikvision.com

**Hikvision Turkey**  
T +90 (216)521 7070- 7074  
sales.tr@hikvision.com

**Hikvision Malaysia**  
T +601-7652-2413  
sales.my@hikvision.com

**Hikvision UK & Ireland**  
T +01628-902140  
sales.uk@hikvision.com

**Hikvision South Africa**  
Tel: +27 (10) 0351172  
sale.africa@hikvision.com

**Hikvision France**  
T +33(0)1-85-330-450  
info.fr@hikvision.com

**Hikvision Kazakhstan**  
T +7-727-9730667  
nikia.panfilov@hikvision.ru

**Hikvision Vietnam**  
T +84-974270888  
sales.vt@hikvision.com

**Hikvision UAE**  
T +971-4-4432090  
salesme@hikvision.com

**Hikvision Singapore**  
T +65-6684-4718  
sg@hikvision.com

**Hikvision Spain**  
T +34-91-737-16-55  
info.es@hikvision.com

**Hikvision Tashkent**  
T +99-87-1238-9438  
uzb@hikvision.ru

**Hikvision Hong Kong**  
T +852-2151-1761  
info.hk@hikvision.com

**Hikvision Russia**  
T +7-495-669-67-99  
saleru@hikvision.com

**Hikvision Korea**  
T +82-(0)31-731-8817  
sales.korea@hikvision.com

**Hikvision Poland**  
T +48-22-460-01-50  
info.pl@hikvision.com

**Hikvision Indonesia**  
T +62-21-2933759  
Sales.Indonesia@hikvision.com

**Hikvision Colombia**  
sales.colombia@hikvision.com