

DarkFighter

DS-2DB4223I-CX (WE/316L) 2 MP 23× Explosion-Proof IR Zoom Bullet Camera



II 2 G Ex db op is IIC T6 Gb
II 2 D Ex tb op is IIC T80°C Db

Hikvision DS-2DB4223I-CX (WE/316L) 2 MP 23× Explosion-Proof IR Zoom Bullet Camera adopts 1/1.8" progressive scan CMOS chip. With the 23× optical zoom lens, the camera offers more details over expansive areas.

The explosion-proof camera is equipped with explosion-proof enclosure made of stainless steel. It can be widely used in places such as: port, wharf, petrochemical industry, military industry.

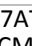

Key Features

- 1/1.8" progressive scan CMOS
- Up to 1920 × 1080 resolution
- Min. illumination:
Color: 0.002 Lux @(F1.5, AGC ON)
B/W: 0.0002 Lux @(F1.5, AGC ON)
0 Lux with IR
- 23× optical zoom, 12× digital zoom
- Digital WDR, 3D DNR, HLC, BLC
- 100 VAC to 240 VAC & PoE+ (IEEE802.3at class4)
- Up to 200 m IR distance
- Support H.265+/H.265 video compression
- Explosion-Proof Certificate No.:
CML 17ATEX1189X
IECEx CML 17.0103X



Specification

Camera Module	
2 MP 23× Explosion-Proof IR Zoom Bullet Camera	
Image Sensor	1/1.8" progressive scan CMOS
Min. Illumination	Color: 0.002 Lux @(F1.5, AGC ON) B/W: 0.0002 Lux @(F1.5, AGC ON) 0 Lux with IR
White Balance	Auto/Manual/ATW (Auto Tracking White Balance)/Indoor/Outdoor/Fluorescent Lamp/Sodium Lamp
Gain Control	Auto/Manual
Shutter Time	1/1 s to 1/30,000 s
Day & Night	IR Cut Filter
Digital Zoom	12×
Focus Mode	Auto/Semi-automatic/Manual
Digital WDR	Support
Lens	
Focal Length	5.9 mm to 135.7 mm, 23× Optical
Zoom Speed	Approx. 4.8 s (optical lens, wide-tele)
FOV	Horizontal field of view: 59.8° to 3.0° (wide-tele) Vertical field of view: 33.6° to 1.7° (wide-tele) Diagonal field of view: 68.6° to 3.4° (wide-tele)
Working Distance	10 mm to 1500 mm (wide-tele)
Aperture Range	F1.5 to F3.4
PTZ	
Presets	255
Park Action	Support
IR	
IR Distance	200 m
Smart IR	Support
Compression Standard	
Video Compression	Main Stream: H.265+/H.265/H.264+/H.264 Sub-Stream: H.265/H.264/MJPEG Third Stream: H.265/H.264/MJPEG
H.264 Type	Baseline Profile/Main Profile/High Profile
H.264+	Support
H.265 Type	Main Profile
H.265+	Support
Video Bitrate	256 Kbps to 16384 Kbps
Audio compression	G.711alaw/G.711ulaw/G.722.1/G.726/MP2L2/PCM
Audio Bitrate	256 Kbps to 16384 Kbps
Smart Feature	
Basic Event	Motion Detection, Video Tampering Detection, Alarm Input, Alarm Output
Smart Event	Intrusion Detection, Line Crossing Detection, Audio Exception Detection
ROI encoding	Main stream, sub-stream and third stream respectively support two fixed areas.
Image	
Max. Resolution	1920 × 1080
Main Stream	50Hz: 25fps (1920 × 1080, 1280 × 960, 1280 × 720) 60Hz: 30fps (1920 × 1080, 1280 × 960, 1280 × 720)
Sub-Stream	50Hz: 25fps (704 × 576, 640 × 480, 352 × 288) 60Hz: 30fps (704 × 480, 640 × 480, 352 × 240)

Third Stream	50Hz: 25fps (1280 × 960, 1280 × 720, 704 × 576, 640 × 480, 352 × 288) 60Hz: 30fps (1280 × 960, 1280 × 720, 704 × 480, 640 × 480, 352 × 240)
Image Enhancement	HLC/BLC/3D DNR/Regional Exposure/Regional Focus
SVC	Support
Network	
Network Storage	Built-in memory card slot, support Micro SD/SDHC/SDXC, up to 128 GB; NAS (NPS, SMB/ CIFS), ANR
Alarm Linkage	Alarm actions, such as Preset, Patrol Scan, Pattern Scan, Memory Card Video Record, Trigger Recording, Notify Surveillance Center, Upload to FTP/Memory Card/NAS, Send Email, etc.
Protocols	IPv4/IPv6, HTTP, HTTPS, 802.1x, Qos, FTP, SMTP, UPnP, SNMP, DNS, DDNS, NTP, RTSP, RTCP, RTP, TCP/IP, UDP, IGMP, ICMP, DHCP, PPPoE, Bonjour
API	Open-ended, support ONVIF, ISAPI, and CGI, support HIKVISION SDK and Third-Party Management Platform
Simultaneous Live View	Up to 20 channels
User/Host	Up to 32 users. 3 levels: Administrator, Operator and User
Security Measures	User authentication (ID and PW), Host authentication (MAC address); HTTPS encryption; IEEE 802.1x port-based network access control; IP address filtering
Client	iVMS-4200, iVMS-5200, iVMS -4500
Web Browser	IE 8+, Firefox 30+, Safari 8.0+ web browser
Interface	
Audio	1-ch audio input/1-ch audio output
Network Interface	1× RJ45 10 M/100 M Ethernet interface
Alarm	1-ch alarm in1put/1-ch alarm output
RS-485	Half duplex, HIKVISION, Pelco-P, Pelco-D, self-adaptive
Analog Output	1.0V[p-p]/75 Ω, PAL/NTSC, BNC
General	
Power	100 VAC to 240 VAC & PoE+ (IEEE802.3at class4) Max. 25 W
Working Environment	Temperature: Outdoor: -40°C to 60°C (-40° F to 140° F) Humidity: ≤ 95%
Protection Level	IP68 Standard; TVS 6000V Lightning Protection, Surge Protection and Voltage Transient Protection
Enclosure Material	Stainless Steel 316L
Explosion-Proof	CML 17ATEX1189X:  II 2 G Ex db op is IIC T6 Gb/  II 2 D Ex tb op is IIIC T80°C Db IECEX CML 17.0103X: Ex db IIC T6 Gb/Ex tb IIIC T80°C Db For explosive gas atmospheres, the maximum surface temperature is 85°C; For flammable dust atmospheres, the maximum surface temperature is 80°C; IIC: for explosive gas atmospheres other than mines susceptible to firedamp; For explosive gas mixture atmospheres: Zone 1, Zone 2, Zone 21, Zone 22.
Installation	Wall mounting
Dimensions	513.2 × 169 × 308 mm (20.2"× 6.65" × 12.13")
Weight	Approx. 16.5 kg (36.38 lb)

DORI

The DORI (detect, observe, recognize, identify) distance gives the general idea of the camera ability to distinguish persons or objects within its field of view.

It is calculated based on the camera sensor specification and the criteria given by EN 62676-4: 2015.

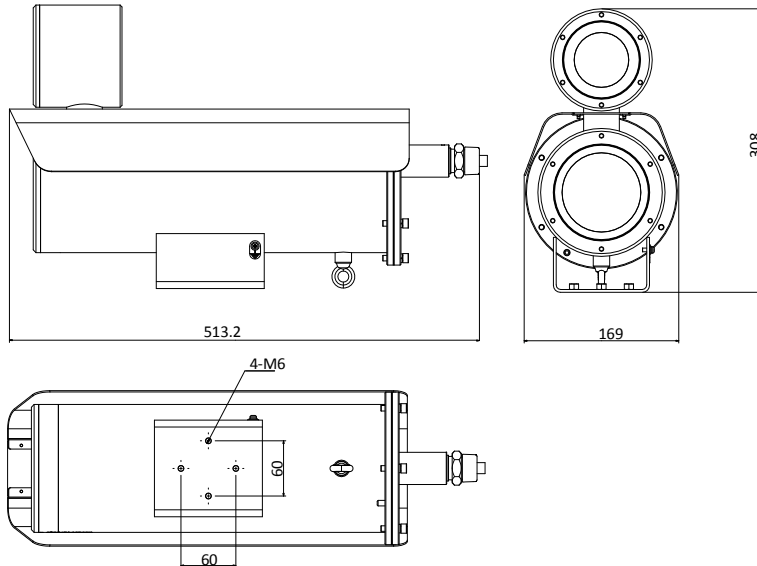
DORI	Detect	Observe	Recognize	Identify
Definition	25 px/m	63 px/m	125 px/m	250 px/m
Distance (Tele)	1434.7 m (4705.7 ft)	569.3 m (1867.3 ft)	286.9 m (941.1 ft)	143.5 m (470.6 ft)

Order Model

DS-2DB42231-CX (WE/316L) 100 VAC to 240 VAC & PoE+ (IEEE802.3at class4)

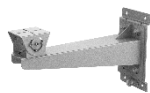
**You are recommended to purchase memory card together with the product if needed. After ordering, the memory card will be installed to product during manufacturing.*

Dimensions



Accessories Optional

Distributed by



DS-1707ZJ-Y-AC(OS)
Wall mount (316L stainless steel)



DS-1677ZJ-XS-1.0 (D)
Flexible conduit



DS-2780ZJ-X/316L(OS)
Explosion-proof terminal box

HIKVISION®

Headquarters

No.555 Qianmo Road, Binjiang District,
Hangzhou 310051, China
T +86-571-8807-5998
overseasbusiness@hikvision.com

Hikvision USA
T +1-909-895-0400
sales.usa@hikvision.com

Hikvision Australia
T +61-2-8599-4233
salesau@hikvision.com

Hikvision India
T +91-22-28469900
sales@pramahikvision.com

Hikvision Canada
T +1-866-200-6690
sales.canada@hikvision.com

Hikvision Thailand
T +662-275-9949
sales.thailand@hikvision.com

Hikvision Europe
T +31-23-5542770
sales.eu@hikvision.com

Hikvision Italy
T +39-0438-6902
info.it@hikvision.com

Hikvision Brazil
T +55 11 3318-0050
Latam.support@hikvision.com

Hikvision Turkey
T +90 [216]521 7070- 7074
sales.tr@hikvision.com

Hikvision Malaysia
T +601-7652-2413
sales.my@hikvision.com

Hikvision UK & Ireland
T +01628-902140
sales.uk@hikvision.com

Hikvision South Africa
Tel: +27 (10) 0351172
sale.africa@hikvision.com

Hikvision France
T +33(0)1-85-330-450
info.fr@hikvision.com

Hikvision Kazakhstan
T +7-727-9730667
nikia.panfilov@hikvision.ru

Hikvision Vietnam
T +84-974270888
sales.vt@hikvision.com

Hikvision UAE
T +971-4-4432090
salesme@hikvision.com

Hikvision Singapore
T +65-6684-4718
sg@hikvision.com

Hikvision Spain
T +34-91-737-16-55
info.es@hikvision.com

Hikvision Tashkent
T +99-87-1238-9438
uzb@hikvision.ru

Hikvision Hong Kong
T +852-2151-1761
info.hk@hikvision.com

Hikvision Russia
T +7-495-669-67-99
saleru@hikvision.com

Hikvision Korea
T +82-[0]31-731-8817
sales.korea@hikvision.com

Hikvision Poland
T +48-22-460-01-50
info.pl@hikvision.com

Hikvision Indonesia
T +62-21-2933759
Sales.Indonesia@hikvision.com

Hikvision Colombia
sales.colombia@hikvision.com