

DS-2XE6422FWD-IZHRS (B)

2 MP Explosion-Proof Network Bullet Camera



- Explosion-proof design: the camera has passed international ATEX & IECEx certifications, and can be used in gas and dust hazardous scenarios
- 316L stainless steel enclosure and anti-corrosion spray treatment, protecting the camera from damage caused by sparks or corrosive materials
- IP68 water resistant, preventing water ingress for outdoor use
- H.265+/H.265/H.264+/H.264 encoding: efficient compression technology saves storage space and reduces bandwidth requirements
- AC 100 V to 240 V wide range power supply: easy to deploy cables and safer compared to a power adapter solution



▪ Specification

| Camera | |
|-----------------------------|--|
| Shutter Speed | 1/3s to 1/100,000s |
| Slow Shutter | Yes |
| P/N | P/N |
| Wide Dynamic Range | 120 dB |
| Lens | |
| Focus | Auto, semi-auto, manual |
| Camera | |
| Image Sensor | 1/1.8" Progressive Scan CMOS |
| Min. Illumination | Color: 0.0005 Lux @(F1.2, AGC ON) B/W: 0.0001 Lux @(F1.2, AGC ON), 0 Lux with IR |
| DNR | 3D DNR |
| Day & Night | IR cut filter |
| Lens | 2.8 mm to 12 mm, F1.4, horizontal FOV: 94° to 38°, vertical FOV: 49.9° to 21.3°, diagonal FOV: 112.3° to 43.5° 8 mm to 32 mm, F1.7, horizontal field of view: 42.5° to 15.1°, vertical FOV: 23.4° to 8.6°, diagonal FOV: 49.6° to 17.3° |
| Auto-Iris | DC drive |
| Video | |
| Max. Resolution | 1920 × 1080 |
| Main Stream | 50 Hz: 25fps (1920 × 1080, 1280 × 720) 60 Hz: 30 fps (1920 × 1080, 1280 × 720) |
| Sub-Stream | 50 Hz: 25 fps (640 × 480, 640 × 360, 320 × 240) 60 Hz: 30fps (640 × 480, 640 × 360, 320 × 240) |
| Third Stream | 50 Hz: 25 fps (1280 × 720, 640 × 480, 640 × 360, 320 × 240) 60 Hz: 30 fps (1280 × 720, 640 × 480, 640 × 360, 320 × 240) |
| Video Compression | Main stream: H.265/H.264 Sub-stream: H.265/H.264/MJPEG Third stream: H.265/H.264 |
| Video Bit Rate | 32 Kbps~8 Mbps |
| H.264 Type | BaseLine Profile/Main Profile/High Profile |
| H.265 Type | Main Profile |
| H.264+ | Main stream supports |
| H.265+ | Main stream supports |
| Bit Rate Control | VBR/CBR |
| Scalable Video Coding (SVC) | H.265 and H.264 support |
| Region of Interest (ROI) | 1 fixed region for main stream and sub-stream |
| Audio | |
| Environment Noise Filtering | Yes |
| Audio Sampling Rate | 8 kHz/16 kHz/32 kHz/44.1 kHz/48 kHz |
| Audio Compression | G.711/G.722.1/G.726/MP2L2/PCM/AAC/MP3 |
| Audio Bit Rate | 64Kbps(G.711)/16Kbps(G.722.1)/16Kbps(G.726)/32-192Kbps(MP2L2)/8Kbps-320Kbps(MP3) |
| Audio Type | Mono sound |

| Network | |
|--------------------------|---|
| Simultaneous Live View | Up to 6 channels |
| API | Open Network Video Interface, ISAPI, SDK, Ehome |
| Protocols | TCP/IP, ICMP, HTTP, HTTPS, FTP, SFTP, DHCP, DNS, DDNS, RTP, RTSP, RTCP, PPPoE, NTP, UPnP, SMTP, SNMP, IGMP, 802.1X, QoS, IPv6, UDP, SSL/TLS |
| User/Host | Up to 32 users, 3 levels: administrator, operator and user |
| Network Storage | microSD/SDHC/SDXC card (256 GB) local storage, and NAS (NFS, SMB/CIFS), auto network replenishment (ANR) Together with high-end Hikvision memory card, memory card encryption and health detection are supported. |
| Client | iVMS-4200, Hik-Connect, Hik-Central |
| Web Browser | Plug-in required live view: IE8+, Chrome41.0~44, Firefox30.0~51, Safari8.0~11 Plug-in free live view: Chrome45.0+, Firefox52.0+ Local service: Chrome 57.0+, Firefox 52.0+ Not recommended: Safari 11+, Edge |
| Image | |
| Smart IR | The IR LEDs on camera should support Smart IR function to automatically adjust power to avoid image overexposure. |
| Day/Night Switch | Day/Night/Auto/Schedule |
| Target Cropping | Yes |
| Image Enhancement | BLC, HLC, 3D DNR, Defog, EIS |
| Image Parameters Switch | Yes |
| Image Settings | Rotate mode, saturation, brightness, contrast, sharpness, gain, white balance adjustable by client software or web browser |
| SNR | ≥50db |
| Privacy Mask | Yes |
| Smart Feature-Set | |
| Smart Event | Line crossing detection, up to 4 lines configurable Intrusion detection, up to 4 regions configurable Region entrance detection, up to 4 regions configurable Region exiting detection, up to 4 regions configurable Unattended baggage detection, up to 4 regions configurable Object removal detection, up to 4 regions configurable, Scene change detection, defocus detection |
| Exception Detection | Network disconnected, IP address conflict, illegal login, HDD full, HDD error |
| General | |
| Linkage Method | Upload to FTP/NAS/memory card, notify surveillance center, send email, trigger alarm output, trigger recording, trigger capture |
| Online Upgrade | Yes |
| Firmware Version | 5.5.153 |
| General Function | Anti- flicker, 3 streams, heartbeat, mirror, privacy masks, flash log, password reset via e-mail, pixel counter |
| Software Reset | Yes |
| Audio | |
| Audio I/O | 1 line in/out |

| Image | |
|-----------------------------|---|
| Picture Overlay | LOGO picture can be overlaid on video with 128 × 128 24bit bmp format |
| Interface | |
| Communication Interface | 1 RJ45 10 M/100 M self-adaptive Ethernet port, Camera with no wiper also supports RS-485 |
| Alarm | 2 alarm inputs, 2 alarm outputs (up to 24 VDC, 1 A or 110 VAC, 500 mA) |
| Video Output | 1Vp-p Composite Output (75Ω/BNC) |
| On-board Storage | Built-in microSD/SDHC/SDXC slot, up to 256GB <i>*You are recommended to purchase memory card together with the product if needed. After ordering, the memory card will be installed to product during manufacturing.</i> |
| Approval | |
| EMC | FCC: FCC-SDoC(ANSI C63.4,FCC Part15 sub B) CE: CE-EMC(EN 50130-4:2011+A1:2014,EN 55032:2015,EN 61000-3-2:2014,EN 61000-3-3:2013) IC: IC-VoC(ICES-003 Issue 7:2020) KC: KN 301489-1,KN 301489-17,RRA NOTICE 2017-14(2017.12.05),RRA NOTICE 2017-19(2017.12.28) |
| Safety | CB: IEC 60950-1 CE: CE-LVD(EN 60950-1:2006+A11:2009+A1:2010+A12:2011+A2:2013) LOA: SANS IEC60950-1 |
| Chemistry | CE: CE-RoHS(RoHS Directive 2011/65/EU+2015/863) |
| Explosion-proof Certificate | ATEX: II 2 G Ex db op is IIC T6 Gb/ II 2D Ex tb op is IIIC T80°C Db IECEX: Ex db IIC T6 Gb /Ex tb IIIC T80°C Db For explosive gas atmospheres, the maximum surface temperature is 85°C; For flammable dust atmospheres, the maximum surface temperature is 80°C; IIC: for explosive gas atmospheres other than mines susceptible to firedamp; For explosive gas mixture atmospheres: Zone 1, Zone 2, Zone 21, Zone 22. |
| IR | |
| IR Range | 2.8 mm to 12 mm lens: up to 80 m (262.5 ft.) 8 mm to 32 mm lens: up to 150 m (492.1 ft.) |
| Smart Feature-set | |
| Line Crossing Detection | Cross a pre-defined virtual line |
| Intrusion Detection | Enter and loiter in a pre-defined virtual region |
| Behavior Analysis | Line crossing detection, intrusion detection, region entrance detection, region exiting detection, unattended baggage detection, object removal detection |
| Region Entrance | Enter a pre-defined virtual region from the outside place |
| Region Exit | Exit from a pre-defined virtual region |
| Unattended Baggage | Objects left over in the pre-defined region such as the baggage, purse, dangerous materials |
| Object Removal | Objects removed from the pre-defined region, such as the exhibits on display. |
| General | |
| Power Supply | 100 VAC to 240 VAC, three-core terminal block PoE (802.3at, class 4) |
| Material | 316L+Anti-corrosion coating |
| Dimensions | 513.2 × 169 × 308 mm (20.2"× 6.65" × 12.13") Package: 753 × 313 × 424 mm (29.65" × 12.32" × 16.69") |

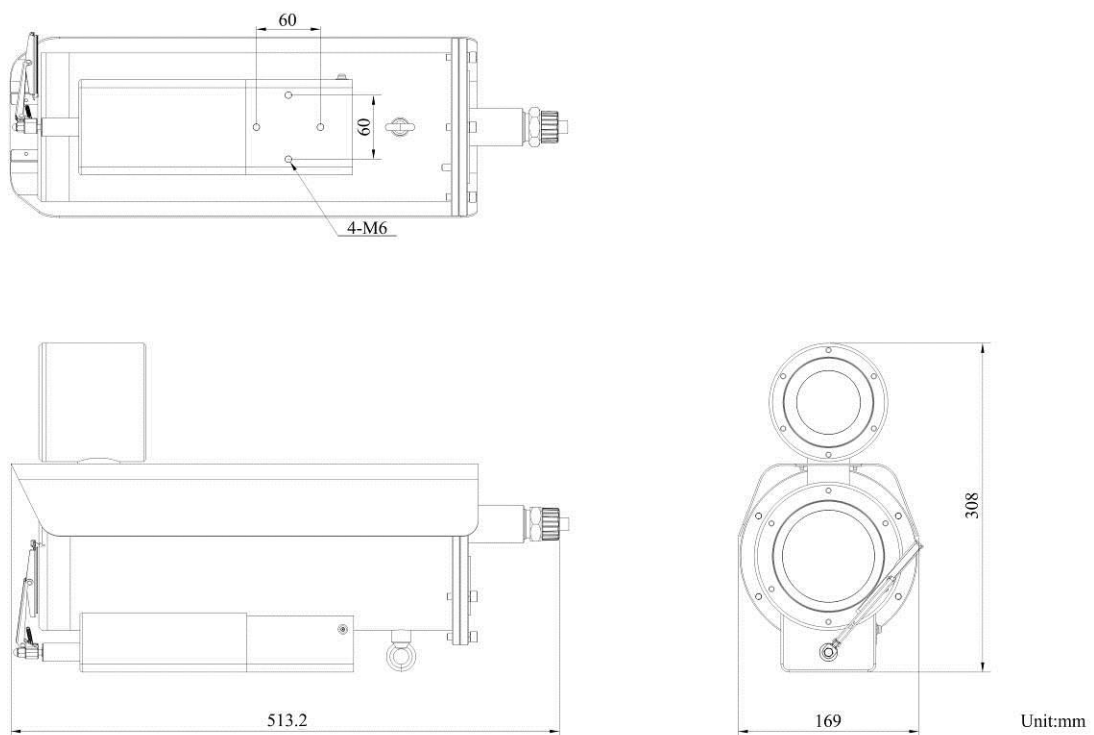
| | |
|-------------------|---|
| Weight | 17.8 kg (39.24 lb.); with package, 19.8 kg (43.65lb.) |
| Power Consumption | 100 VAC to 240 VAC, 0.38 A to 0.18 A, max. 22.6W; PoE (802.3at, 42.5 V to 57 V), 0.56 A to 0.42 A, max. 23.6W |
| Heater | Yes |
| Wiper | Yes |

**You are recommended to purchase memory card together with the product if needed. After ordering, the memory card will be installed to product during manufacturing.*

▪ Available Model



DS-2XE6422FWD-IZHRS (B)

▪ Dimension



▪ Accessory

▪ Optional

| DS-2780ZJ-X/316 L(OS) Junction box | DS-1707ZJ-Y-AC(OS) Wall mount |
|---|---|
|  |  |



Distributed by



HIKVISION®

Headquarters

No.555 Qianmo Road, Binjiang District,
Hangzhou 310051, China
T +86-571-8807-5998
overseasbusiness@hikvision.com

Hikvision USA

T +1-909-895-0400
sales.usa@hikvision.com

Hikvision Australia

T +61-2-8599-4233
salesau@hikvision.com

Hikvision India

T +91-22-28469900
sales@pramahikvision.com

Hikvision Canada

T +1-866-200-6690
sales.canada@hikvision.com

Hikvision Thailand

T +662-275-9949
sales.thailand@hikvision.com

Hikvision Europe

T +31-23-5542770
sales.eu@hikvision.com

Hikvision Italy

T +39-0438-6902
info.it@hikvision.com

Hikvision Brazil

T +55 11 3318-0050
Latam.support@hikvision.com

Hikvision Turkey

T +90 (216)521 7070- 7074
sales.tr@hikvision.com

Hikvision Malaysia

T +601-7652-2413
sales.my@hikvision.com

Hikvision UK & Ireland

T +01628-902140
sales.uk@hikvision.com

Hikvision South Africa

Tel: +27 (10) 0351172
sale.africa@hikvision.com

Hikvision France

T +33(0)1-85-330-450
info.fr@hikvision.com

Hikvision Kazakhstan

T +7-727-9730667
nikia.panfilov@hikvision.ru

Hikvision Vietnam

T +84-974270888
sales.vt@hikvision.com

Hikvision UAE

T +971-4-4432090
salesme@hikvision.com

Hikvision Singapore

T +65-6684-4718
sg@hikvision.com

Hikvision Spain

T +34-91-737-16-55
info.es@hikvision.com

Hikvision Tashkent

T +99-87-1238-9438
uzb@hikvision.ru

Hikvision Hong Kong

T +852-2151-1761
info.hk@hikvision.com

Hikvision Russia

T +7-495-669-67-99
saleru@hikvision.com

Hikvision Korea

T +82-(0)31-731-8817
sales.korea@hikvision.com

Hikvision Poland

T +48-22-460-01-50
info.pl@hikvision.com

Hikvision Indonesia

T +62-21-2933759
Sales.Indonesia@hikvision.com

Hikvision Colombia

sales.colombia@hikvision.com