

Product Datasheet

6-port 10/100Mbps PoE Switch

(ONV-POE31064PL)



OVERVIEW

The ONV-POE31064PL is an unmanaged PoE switch independently developed by ONV. It has 4*10/100M PoE ports and 2*10/100M uplink RJ45 ports. Port 3-6 can support IEEE802.3af/at standard PoE power supply, and single port PoE power reaches 30W. The maximum PoE output power is 65W. As a PoE power supply device, it can automatically detect and recognize the power receiving equipment that meets the standard and supply power through the network cable. It can supply power to POE terminal equipment such as wireless AP, webcam, VoIP, visual intelligent building intercom through network cable, and meet the network environment that needs high-density PoE power supply. It is suitable for hotel, campus, factory dormitory and small and medium-sized enterprises.

Unmanaged model, plug and play, no configuration, easy to use.

FEATURE

■ 10/100Mbps access, dual RJ45 port uplink

- ◇ 6*10/100Base-TX RJ45 port and uplink dual RJ45 ports ,which is more convenient for users to flexibly set up to meet the network requirements of various scenarios.
- ◇ Support non-blocking wire-speed forwarding.
- ◇ Support full-duplex based on IEEE802.3x and half-duplex based on backpressure.

■ Smart PoE function

- ◇ 4*10/100Base-TX RJ45 ports, meeting the needs of security monitoring, teleconferencing system, wireless coverage, and other scenarios.
- ◇ IEEE802.3af/at PoE standard, without damaging non-PoE devices.

■ Innovative features

- ◇ Long-distance file: When turned on, the rate of port 3-6 is reduced to 10M. Using the existing twisted-pair cable, the limit of 100 meters of twisted-pair transmission can be exceeded, and the transmission distance can reach up to 250 meters; on the other hand, Can solve the problem of poor transmission due to aging of the line.
- ◇ Video Surveillance Mode: Open with long-distance switches. Port 3-6 are isolated from each other but communicate with ports 1-2 to prevent DHCP conflicts, optimize port cache utilization, and reduce broadcast storms.

■ Stable and reliable, easy to operate

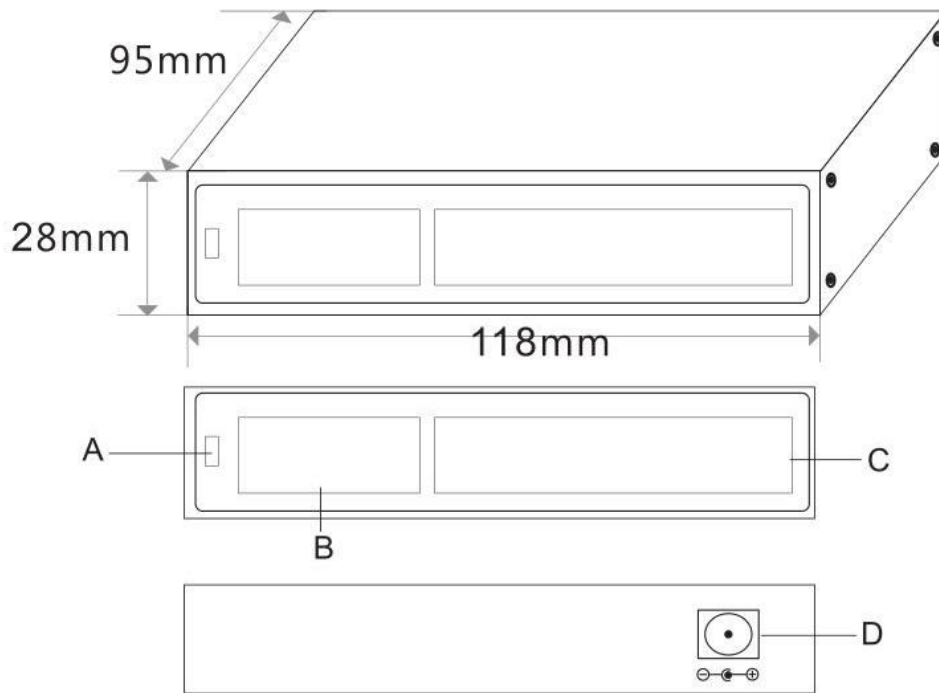
- ◇ Low power consumption, galvanized steel casing, no fan.
- ◇ Self-developed power supply, high redundancy design, providing a long term and stable PoE power output.
- ◇ CCC,CE, FCC, RoHS.
- ◇ Plug and play, no configuration, simple and convenient.
- ◇ The user-friendly panel can show the device status through the LED indicator of PWR, Link, PoE.

TECHNICAL SPECIFICATION

Model	ONV-POE31064PL	ONV-POE31064PL-at
Interface Characteristics		
Fixed Port	4*10/100Base-TX PoE ports (Data/Power) 2*10/100Base-TX Uplink RJ45 Ports (Data)	
Ethernet Port	Port 1-6 can support 10/100Base-TX automatic detection, full/half Duplex MDI/MDI-X adaptive	
Twisted Pair	10BASE: Cat3,4,5 UTP(≤250 meter)	
Transmission	100BASE-TX: Cat5 or later UTP(≤100 meter)	
Functional Switch	1*(Extender+CCTV) Note: When the switch status changes, the PoE switch must be restarted for the switch function to take effect.	
Chip Parameter		
Network Protocol	IEEE802.3 10BASE-T, IEEE802.3i 10Base-T IEEE802.3u 100Base-TX, IEEE802.3x	
Forwarding Mode	Store and Forward(Full Wire Speed)	
Switching Capacity	1.6Gbps(non-blocking)	
Forwarding Rate@64byte	0.89Mpps	
MAC	1K	
Buffer Memory	768K	
LED Indicator	Power: PWR (Green), Network: Link (Yellow), PoE: PoE (Green) Functional switch: EXTEND (Green)	
PoE & Power Supply		
PoE Port	Port 3 to 6 IEEE802.3af/at @ POE	
Power Supply Pin	Default 1/2(+), 3/6(-), optional 4/5(+), 7/8(-)	
Max Power Per Port	30W; IEEE802.3af/at	

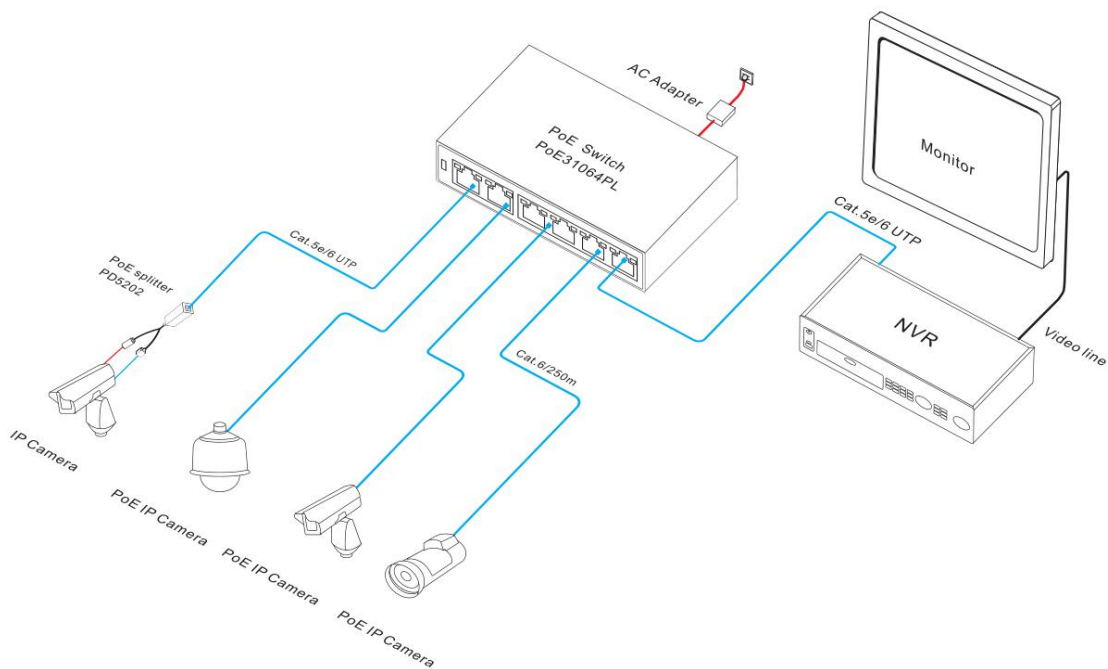
Total PWR / Input Voltage	65W/ 52VDC	110W/52VDC
Power Consumption	Standby<4W, Full load<65W	Standby<5W, Full load<110W
Power Supply	External power adaptor AC100~240V 50-60Hz 1A	External power adaptor AC100~240V 50-60Hz 2.2A
Physical Parameter		
Operation TEMP / Humidity	-20~+55°C, 5%~90% RH Non condensing	
Storage TEMP / Humidity	-40~+75°C, 5%~95% RH Non condensing	
Dimension (L*W*H)	118*95*28mm	
Net /Gross Weight	<0.4kg / <0.9kg	
Installation	Desktop, wall mounted	
Certification & Warranty		
Lightning Protection	Lightning protection: 4KV 8/20us; Protection level: IP30	
Certification	CCC;CE mark, commercial; CE/LVD EN60950;FCC Part 15 Class B; RoHS	
Warranty	3 years, lifelong maintenance.	

DIMENSION



- A. Multi-function switch
- B. 2* 10/100M Uplink RJ45 ports
- C. 4*10/100M PoE ports
- D. Power input port DC48-57V

APPLICATION



ORDERING INFORMATION

Model	Description
ONV-POE31064PL	Unmanaged PoE switch with 4*10/100M PoE ports and 2*10/100M uplink RJ45 ports. Port 3-6 can support IEEE802.3af/at PoE standard. Adjust function switch, port 3-6 VLAN isolation or 10M/250m transmission, External 65W power supply.
ONV-POE31064PL-at	Unmanaged PoE switch with 4*10/100M PoE ports and 2*10/100M uplink RJ45 ports. Port 3-6 can support IEEE802.3af/at PoE standard. Adjust function switch, port 3-6 VLAN isolation or 10M/250m transmission, External 110W power supply.

PACKING LIST

PACKING LIST	CONTENT	QTY	UNIT
	6-port 10/100Mbps PoE switch	1	SET
	Power Cable	1	PC
	Mounting Kits(Hanging Ear)	1	SET
	User Guide	1	PC
	Warranty Card	1	PC

CONTACT US



OPTICAL NETWORK VIDEO TECHNOLOGIES (SHENZHEN) CO., LTD.

Tel: 0086-755-33376606

Fax: 0086-755-33376608

Email: onv@onv.com.cn

Website: www.onvcom.com

Zip: 518000

Headquarter Address: Room 1003, Block D, Terra Building, Futian District, Shenzhen, China

Factory Address: The 4-6th Floor, No. 59, Huaning Road, Xinwei Community, Dalang Street,
Longhua District, Shenzhen, China

